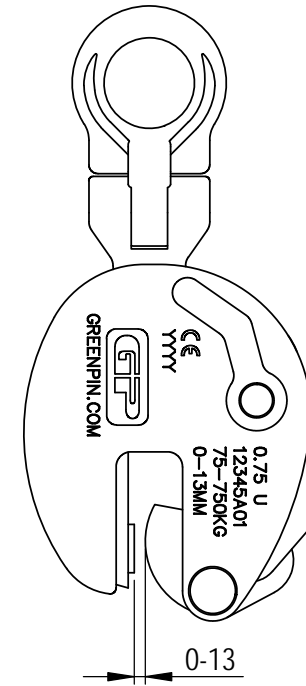
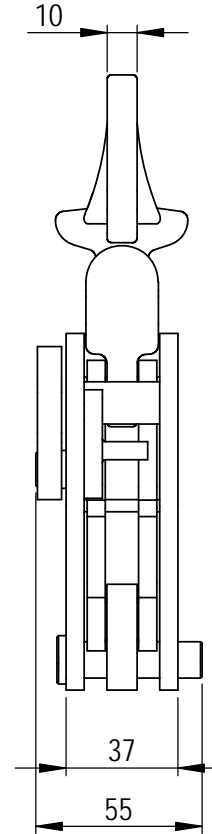
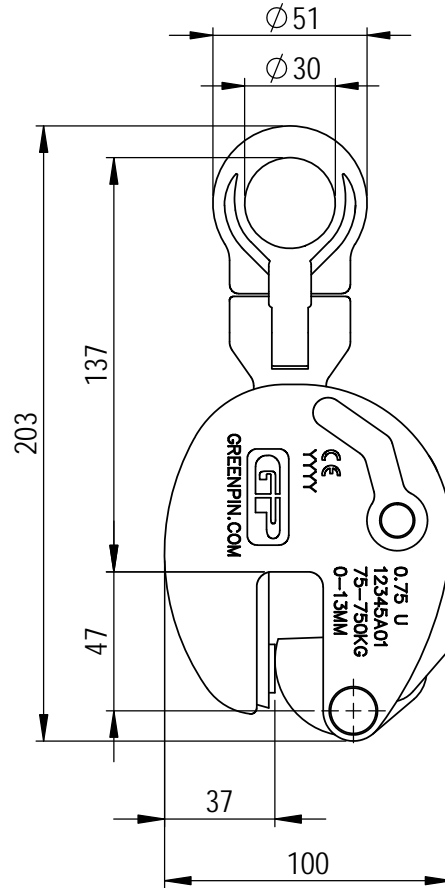


Green Pin® Lifting Clamp U-type
 Group : P-6625
 Part : PK007EU
 WLL : 0.75t



0	First Issue	2022/4/1	DL
Rev.	Description	Date	Drawn
Copyright by Van Beest B.V. moreover this document is the property of Van Beest B.V. This document or any part of it may neither be made known, copied or multiplied, nor used for any purpose other than that for which it is specifically furnished, without the prior written consent of Van Beest B.V.			
Title Green Pin® Lifting Clamp U-type		Remark P-6625 PK007EU	
Universal plate clamp for lifting and transportation in all directions			



P.O. Box 57, 3360 AB Sliedrecht (The Netherlands)
 Industrieweg 6, 3361 HJ Sliedrecht
 Tel. +31(0)184-413300 www.greenpin.com

Format	A4	
Scale	1:2.5	
Drawing number	8255	Rev.
		0

We reserve the right to make amendments on specifications in this drawing without prior notification.