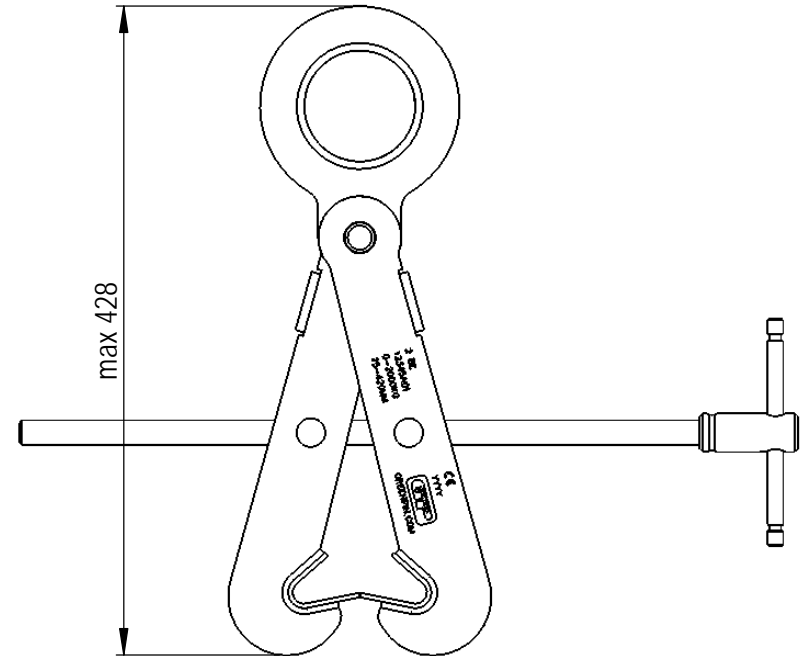
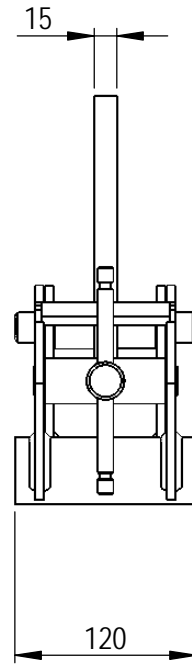
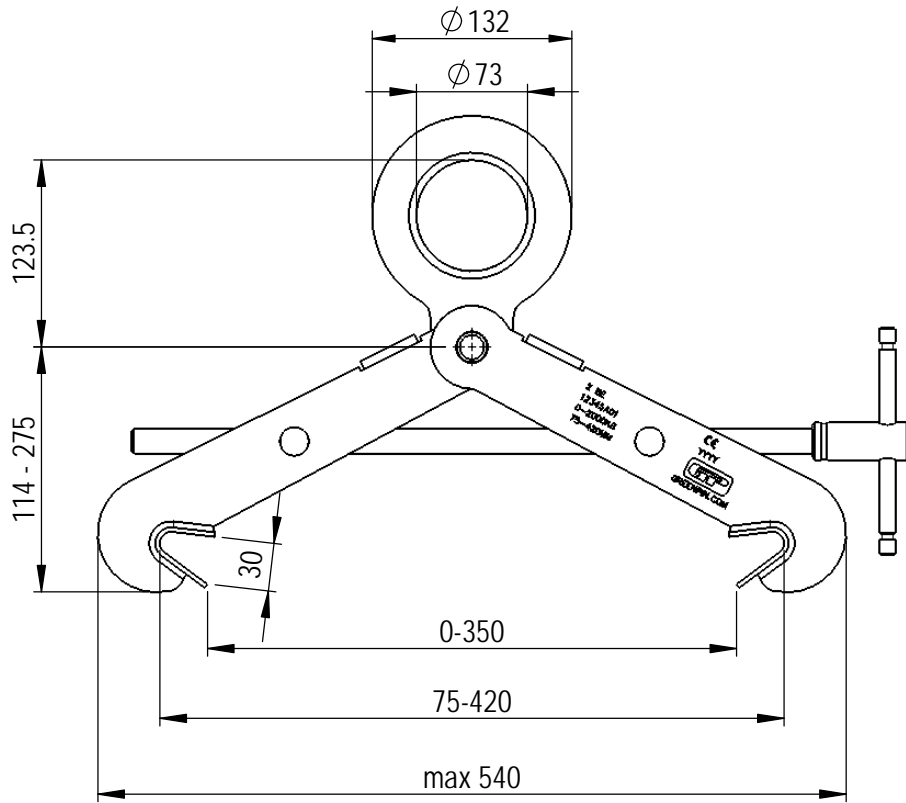


# Green Pin BigMouth® Beam Lifting Clamp V-Type

Group : P-6686

Part : PK020ESVS


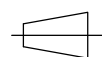
WLL : 2t



Rev.	Description	Date	Drawn
0	First Issue	2022/4/1	DL
Copyright by Van Beest B.V. moreover this document is the property of Van Beest B.V. This document or any part of it may neither be made known, copied or multiplied, nor used for any purpose other than that for which it is specifically furnished, without the prior written consent of Van Beest B.V.			
Title Green Pin BigMouth® Beam Lifting Clamp V-Type Clamp with enlarged opening for vertical lifting and transportation of steel beams		Remark P-6686 PK020ESVS	



**Green Pin®**  
P.O. Box 57, 3360 AB Sliedrecht (The Netherlands)  
Industrieweg 6, 3361 HJ Sliedrecht  
Tel. +31(0)184-413300 www.greenpin.com

Format	A4	 
Scale	1:5	
Drawing number	8305	Rev.
		0

We reserve the right to make amendments on specifications in this drawing without prior notification.