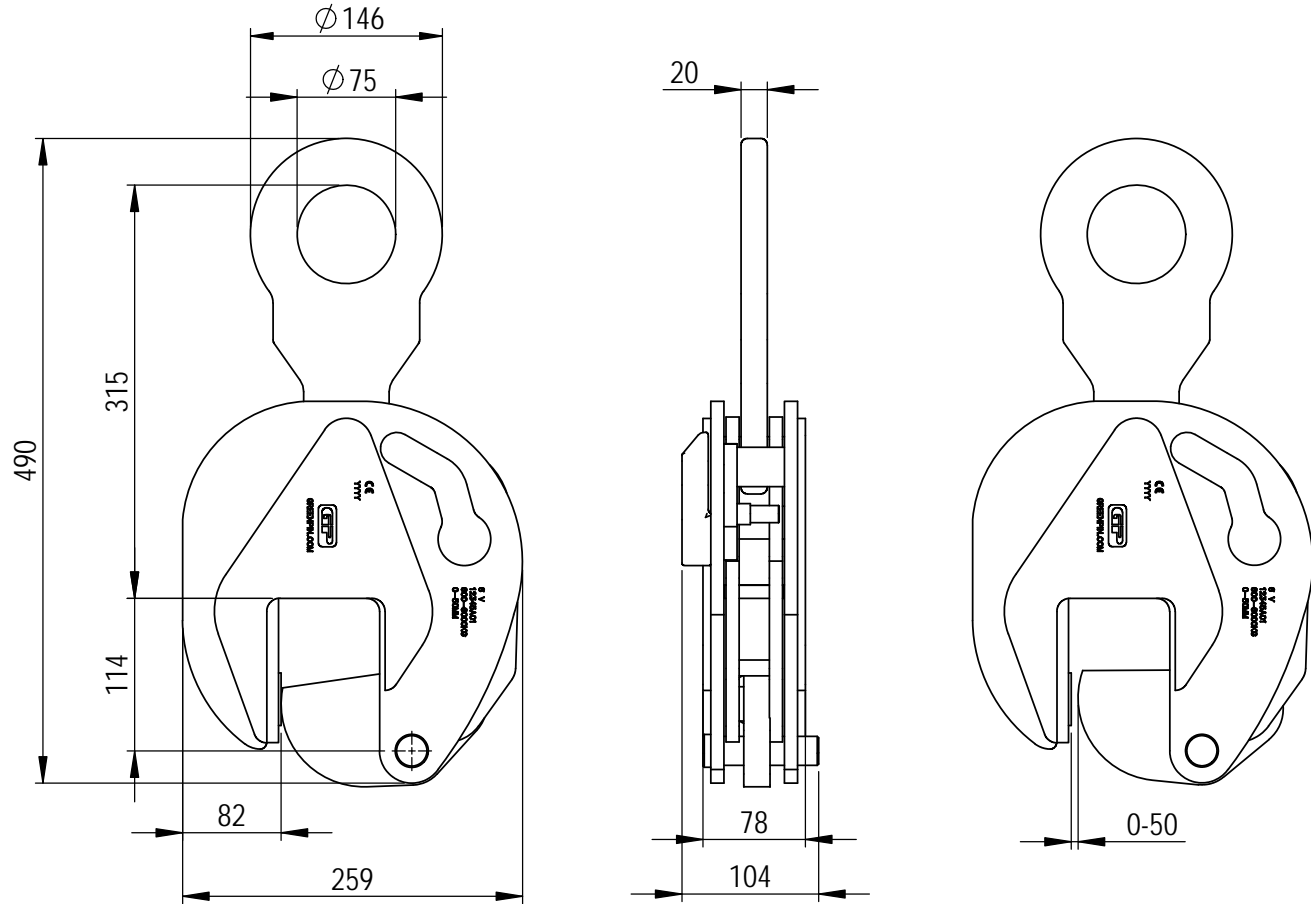



Green Pin® Lifting Clamp V-type

Group : P-6615
 Part : PK060E
 WLL : 6t


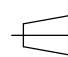


0	First Issue	2022/4/1	DL
Rev.	Description	Date	Drawn
Copyright by Van Beest B.V. moreover this document is the property of Van Beest B.V. This document or any part of it may neither be made known, copied or multiplied, nor used for any purpose other than that for which it is specifically furnished, without the prior written consent of Van Beest B.V.			
Title Green Pin® Lifting Clamp V-type		Remark	
Plate clamp for lifting and vertical transportation		P-6615 PK060E	



Green Pin®

P.O. Box 57, 3360 AB Sliedrecht (The Netherlands)
 Industrieweg 6, 3361 HJ Sliedrecht
 Tel. +31(0)184-413300 www.greenpin.com

Format	A4	 
Scale	1:5.75	
Drawing number	8235	Rev.
		0

We reserve the right to make amendments on specifications in this drawing without prior notification.