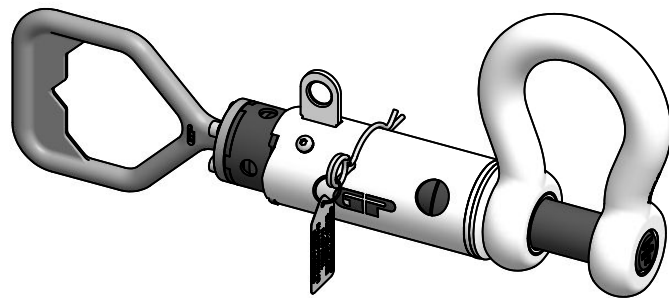
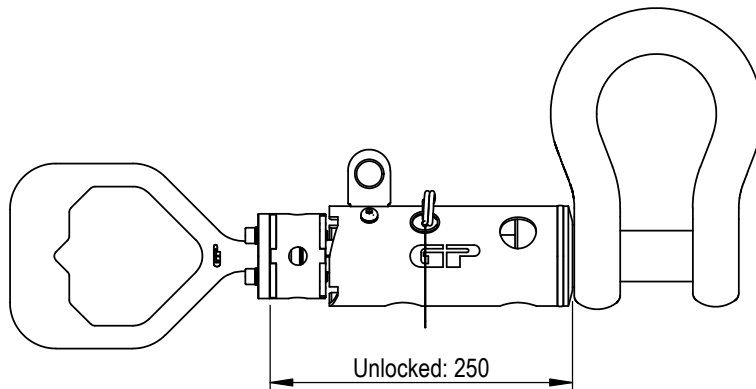
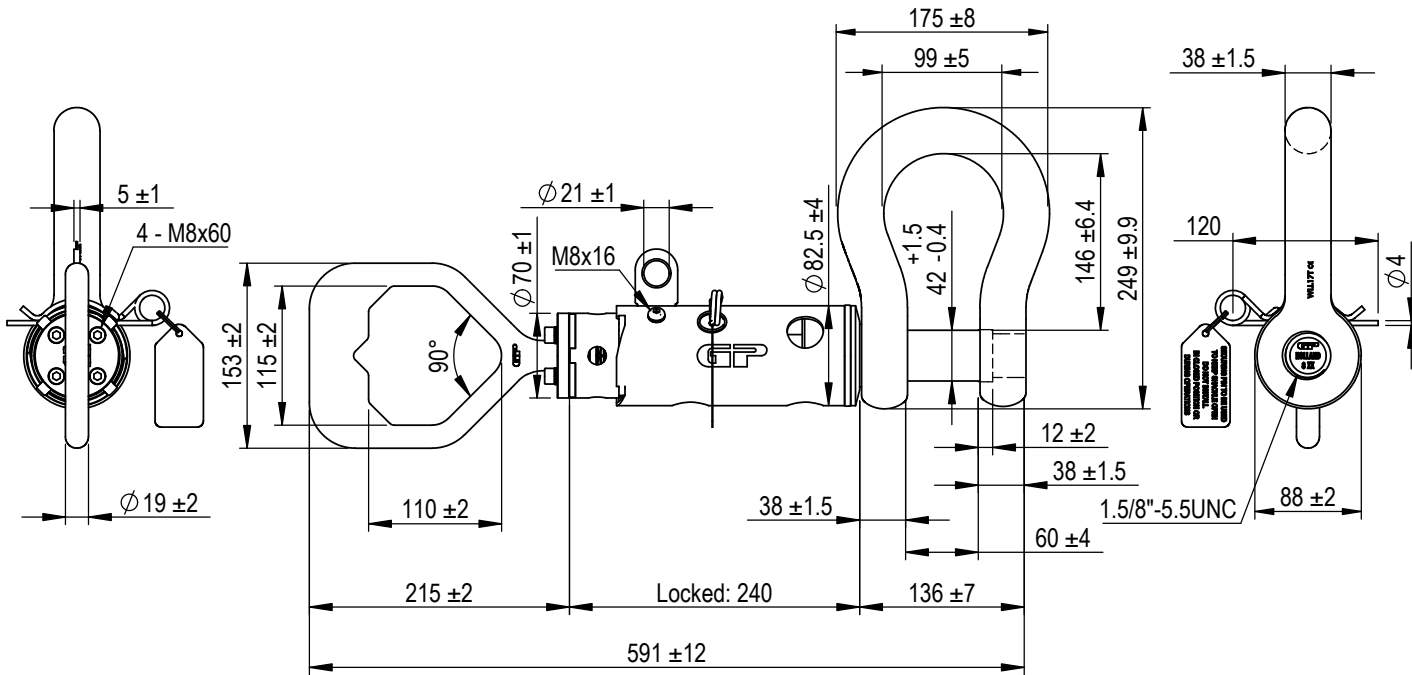


Green Pin® Guided Pin ROV Shackle D
 Group : P-5362D
 Part : POGHBB38ROVSFD
 WLL : 17t



We reserve the right to make amendments on specifications in this drawing without prior notification.

Rev.	Description	Date	Drawn
0	New release	2021/11/1	DL


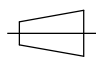


Green Pin®
 P.O. Box 57, 3360 AB Sliedrecht (The Netherlands)
 Industrieweg 6, 3361 HJ Sliedrecht
 Tel. +31(0)184-413300 www.greenpin.com

Copyright by Van Beest B.V. moreover this document is the property of Van Beest B.V. This document or any part of it may neither be made known, copied or multiplied, nor used for any purpose other than that for which it is specifically furnished, without the prior written consent of Van Beest B.V.

Title **Green Pin® Guided Pin ROV Shackle D**
 Release & retrieve ROV shackle (grade 8) with guiding tube and D-handle

Remark
 P-5362D
 POGHBB38ROVSFD

Format	A4	 	
Scale	1:6.25		
Drawing number	6726	Rev.	0