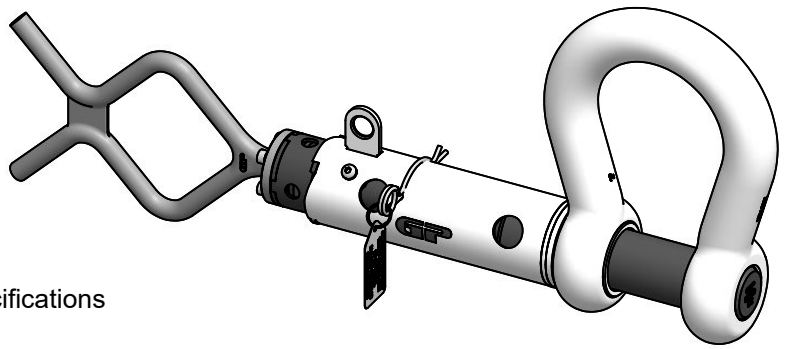
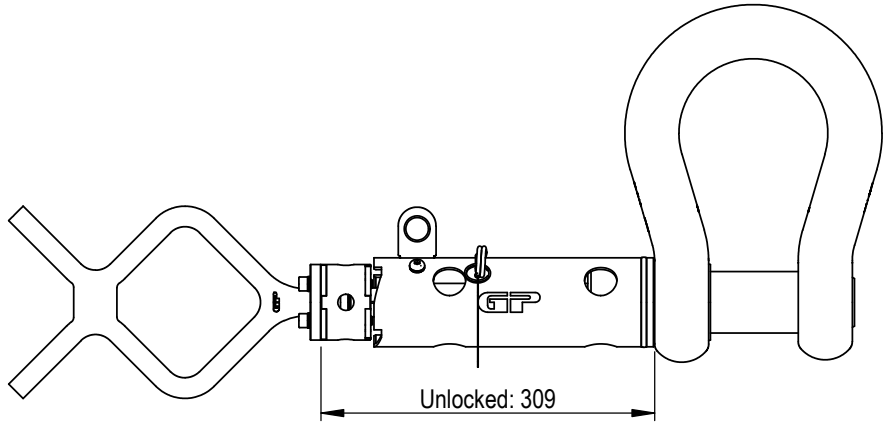
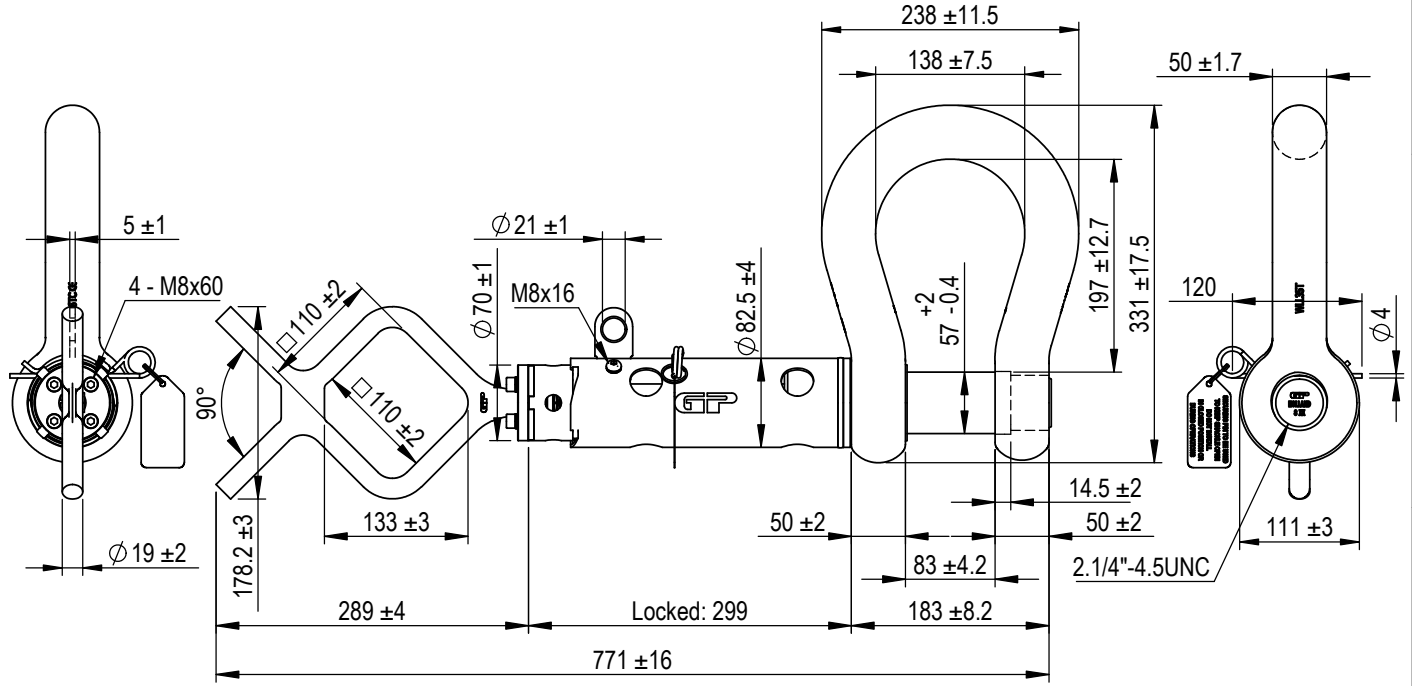


Green Pin® Guided Pin ROV Shackle F
 Group : P-5362F
 Part : POGHBB50ROVSFF
 WLL : 35t



We reserve the right to make amendments on specifications in this drawing without prior notification.

Rev.	Description	Date	Drawn
0	New release	2021/11/1	DL

Copyright by Van Beest B.V. moreover this document is the property of Van Beest B.V. This document or any part of it may neither be made known, copied or multiplied, nor used for any purpose other than that for which it is specifically furnished, without the prior written consent of Van Beest B.V.



Green Pin®
 P.O. Box 57, 3360 AB Sliedrecht (The Netherlands)
 Industrieweg 6, 3361 HJ Sliedrecht
 Tel. +31(0)184-413300 www.greenpin.com

Format	A4
Scale	1:7




Title Green Pin® Guided Pin ROV Shackle F Release & retrieve ROV shackle (grade 8) with guiding tube and Fishtail handle	Remark P-5362F POGHBB50ROVSFF	Drawing number 6738	Rev. 0
--	--	-------------------------------	------------------