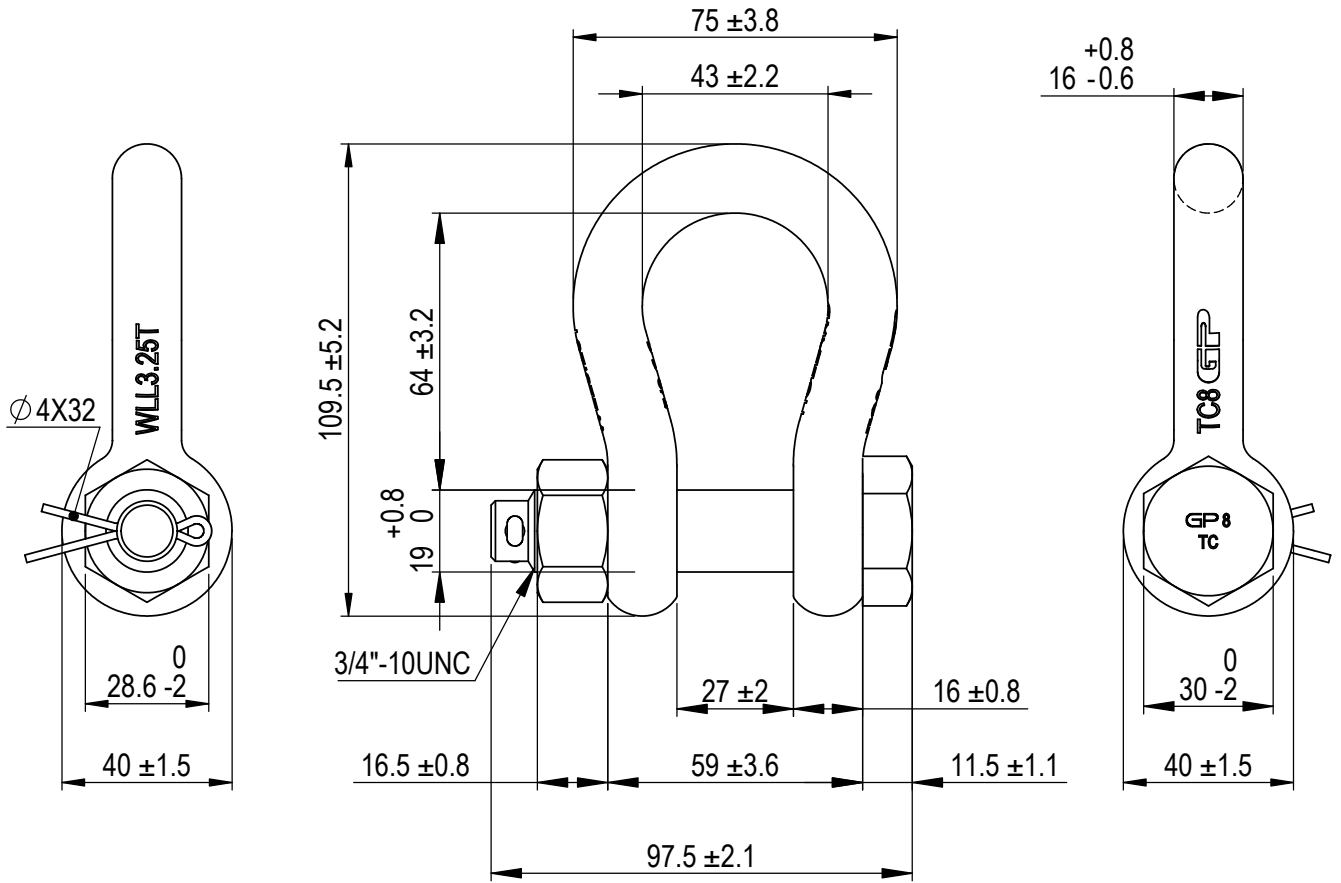


Green Pin Polar® Bow Shackle BN  
 Group : G-5163  
 Part : POGHMB16  
 WLL : 3.25t




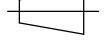
We reserve the right to make amendments on specifications in this drawing without prior notification.

| Rev. | Description     | Date     | Drawn |
|------|-----------------|----------|-------|
| A    | Drawing updated | 2022-1-1 | DL    |
| 0    | First Issue     | 31-07-09 | H.T.  |

Copyright by Van Beest B.V. moreover this document is the property of Van Beest B.V. This document or any part of it may neither be made known, copied or multiplied, nor used for any purpose other than that for which it is specifically furnished, without the prior written consent of Van Beest B.V.



**Green Pin®**  
 P.O. Box 57, 3360 AB Sliedrecht (The Netherlands)  
 Industrieweg 6, 3361 HJ Sliedrecht  
 Tel. +31(0)184-413300 www.greenpin.com

|   |  |                                     |  |   |   |
|---|--|-------------------------------------|--|---|---|
| <b>Title</b> Green Pin Polar® Bow Shackle BN<br>Grade 8 bow shackle with safety bolt for use under low temperatures |  | <b>Remark</b><br>G-5163<br>POGHMB16 |  | <b>Format</b> A4<br><b>Scale</b> 1:1.75 |   |
|   |  |                                     |  | <b>Drawing number</b><br>5101           | <b>Rev.</b><br>A  |