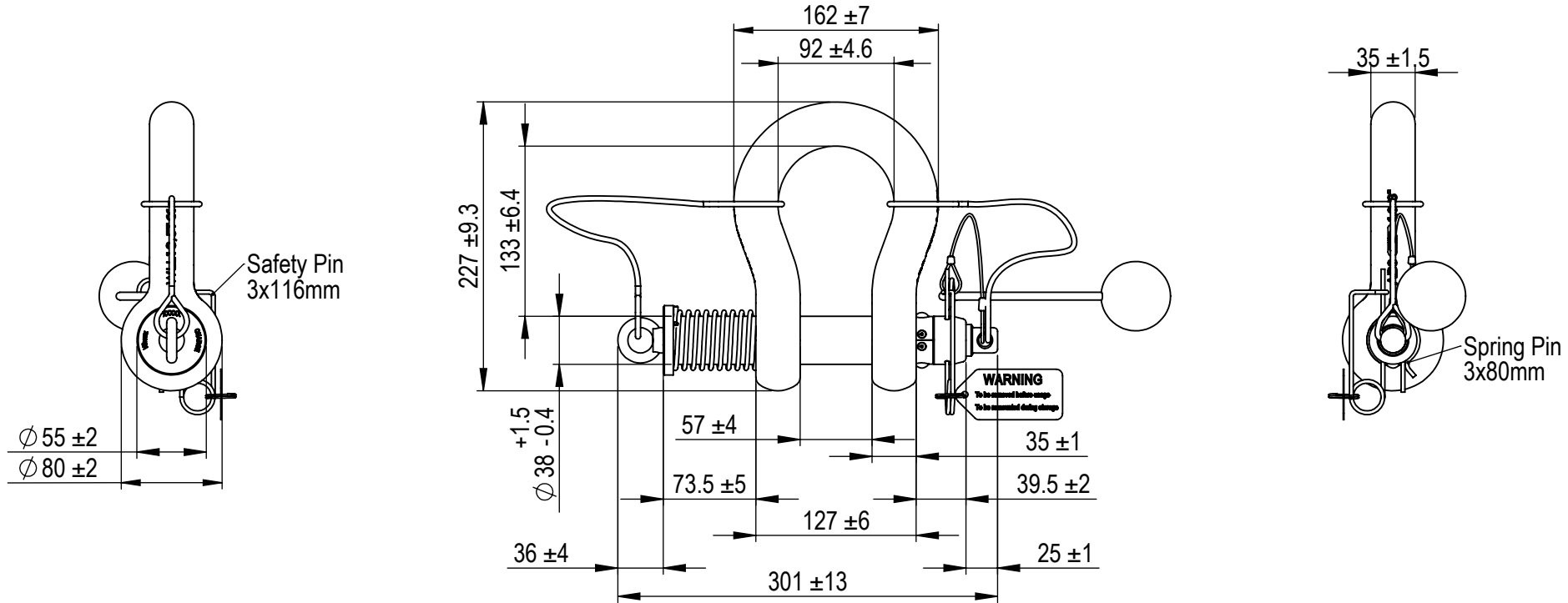


Green pin® Spring Release ROV Shackle
 Group : P-5367
 Part : POGHMB35ROVSRL
 WLL : 13.5 t



Rev.	Date	Description	Drawn
B	13-3-2019	Model update	RB
A	01-06-2015	Spring release pin design change	DVDP
0	21-02-2014	First Issue	AH


Green Pin®
 P.O. Box 57, 3360 AB Sliedrecht (The Netherlands)
 Industrieweg 6, 3361 HJ Sliedrecht
 Tel. +31(0)184-413300 www.greenpin.com

Copyright by Van Beest B.V. moreover this document is the property of Van Beest B.V. This document or any part of it may neither be made known, copied or multiplied, nor used for any purpose other than that for which it is specifically furnished, without the prior written consent of Van Beest B.V.

Title Green pin® Spring Release ROV Shackle	Remark P-5367 POGHMB35ROVSRL	Format A4	
		Scale 1:5	

We reserve the right to make amendments on specifications in this drawing without prior notification.