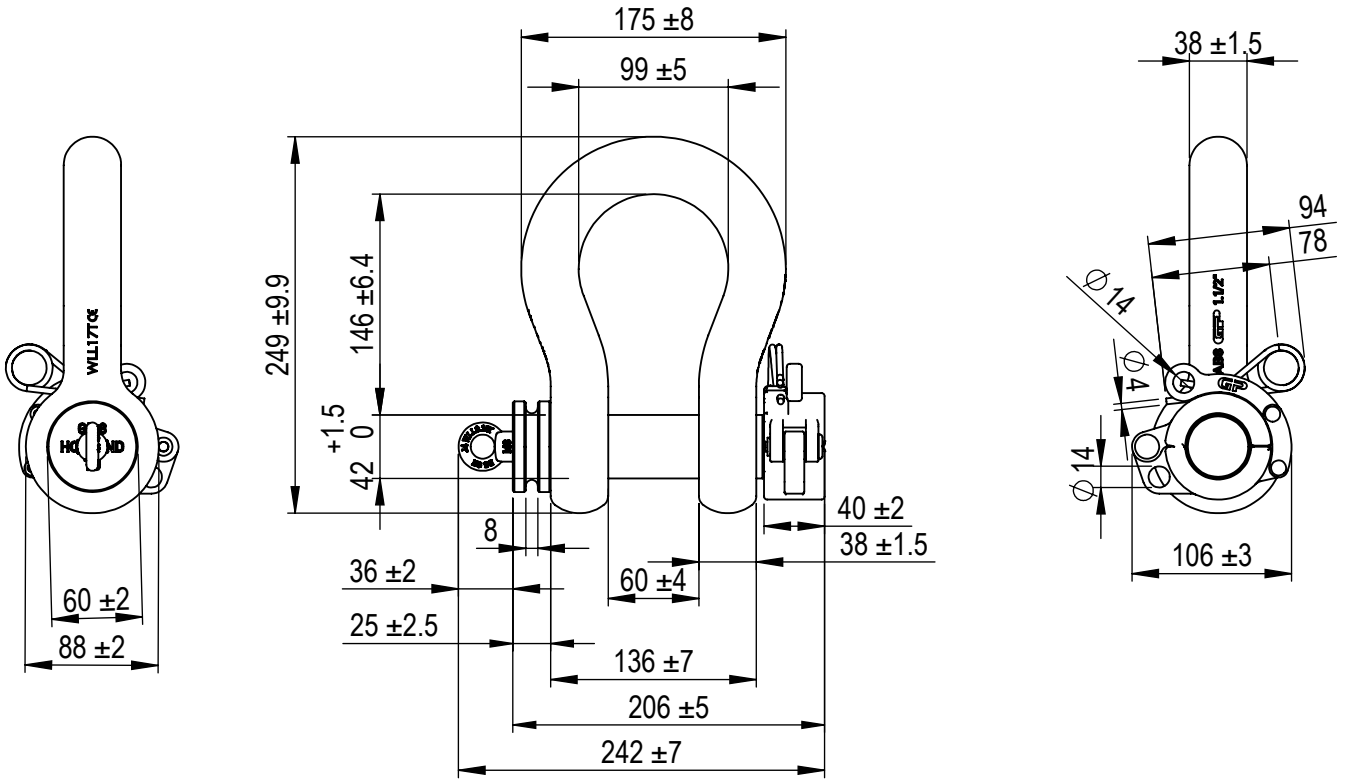


Green Pin[®] Locking Clamp ROV Shackles
 Group : P-5365
 Part : POGHMB38ROVRLLC
 WLL : 17 t



We reserve the right to make amendments on specifications in this drawing without prior notification.

Rev.	Description	Date	Drawn
A	New locking clamp	21-6-2019	RB
0	First Issue	28-05-2013	AH



P.O. Box 57, 3360 AB Sliedrecht
 (The Netherlands)
 Industrieweg 6, 3361 HJ Sliedrecht
 Tel. +31(0)184-413300 www.vanbeest.nl

Copyright by Van Beest B.V. moreover this document is the property of Van Beest B.V. This document or any part of it may neither be made known, copied or multiplied, nor used for any purpose other than that for which it is specifically furnished, without the prior written consent of Van Beest B.V.

Title **Green Pin[®] Locking Clamp ROV Shackles**

Remark
 P-5365
 POGHMB38ROVRLLC

Format	A4	
Scale	1:5	
Drawing number	6753	Rev. A

1

2

3

4