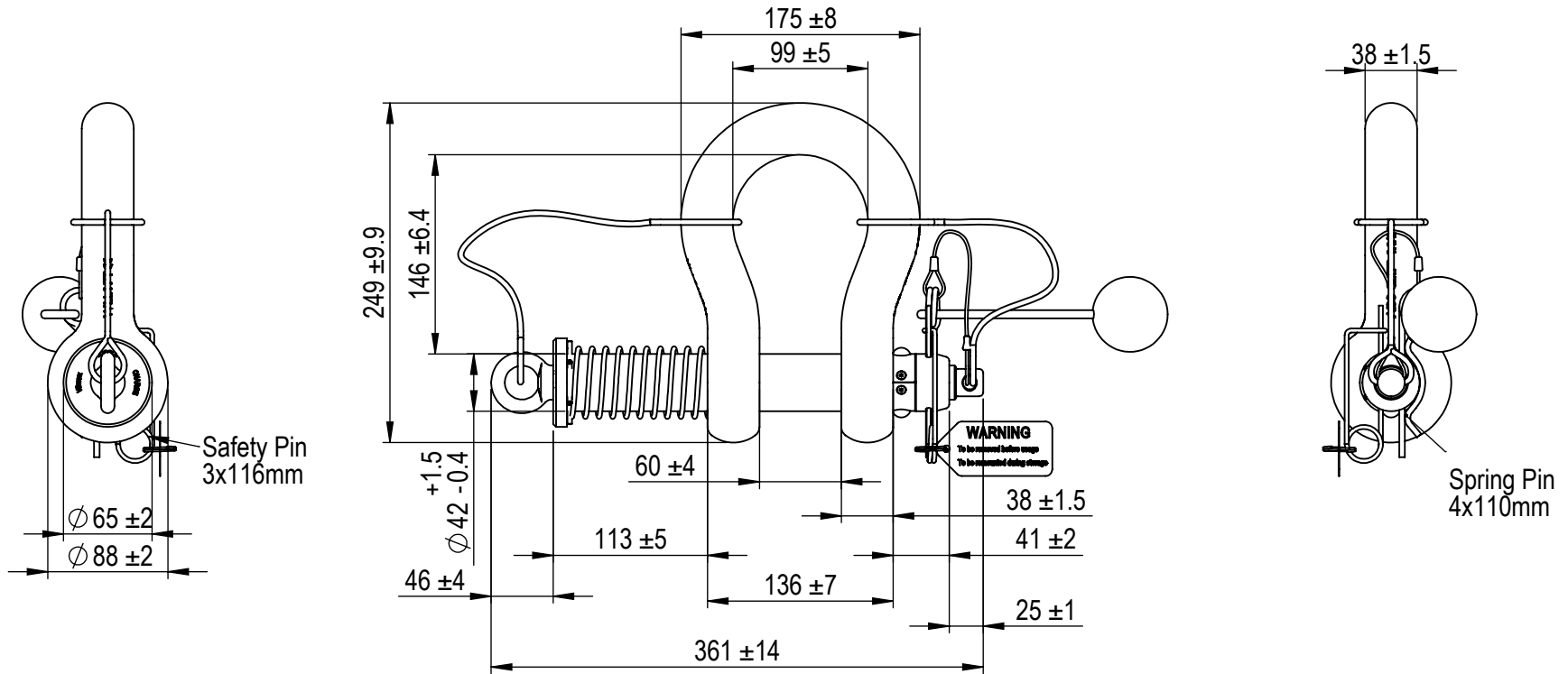


Green Pin® Spring Release ROV Shackle
 Group : P-5367
 Part : POGHMB38ROVSRL
 WLL : 17 t



Rev.	Description	Date	Drawn
B	Model update	8-4-2019	RB
A	Spring release pin design changed	01-06-2015	DVDP
0	First Issue	21-02-2014	AH

Copyright by Van Beest B.V. moreover this document is the property of Van Beest B.V. This document or any part of it may neither be made known, copied or multiplied, nor used for any purpose other than that for which it is specifically furnished, without the prior written consent of Van Beest B.V.

Title Green Pin® Spring Release ROV shackle		Remark P-5367 POGHMB38ROVSRL	Format A4	
			Scale 1:5	
			Drawing number 6803	Rev. B

Green Pin®
 P.O. Box 57, 3360 AB Sliedrecht (The Netherlands)
 Industrieweg 6, 3361 HJ Sliedrecht
 Tel. +31(0)184-413300 www.greenpin.com

We reserve the right to make amendments on specifications in this drawing without prior notification.