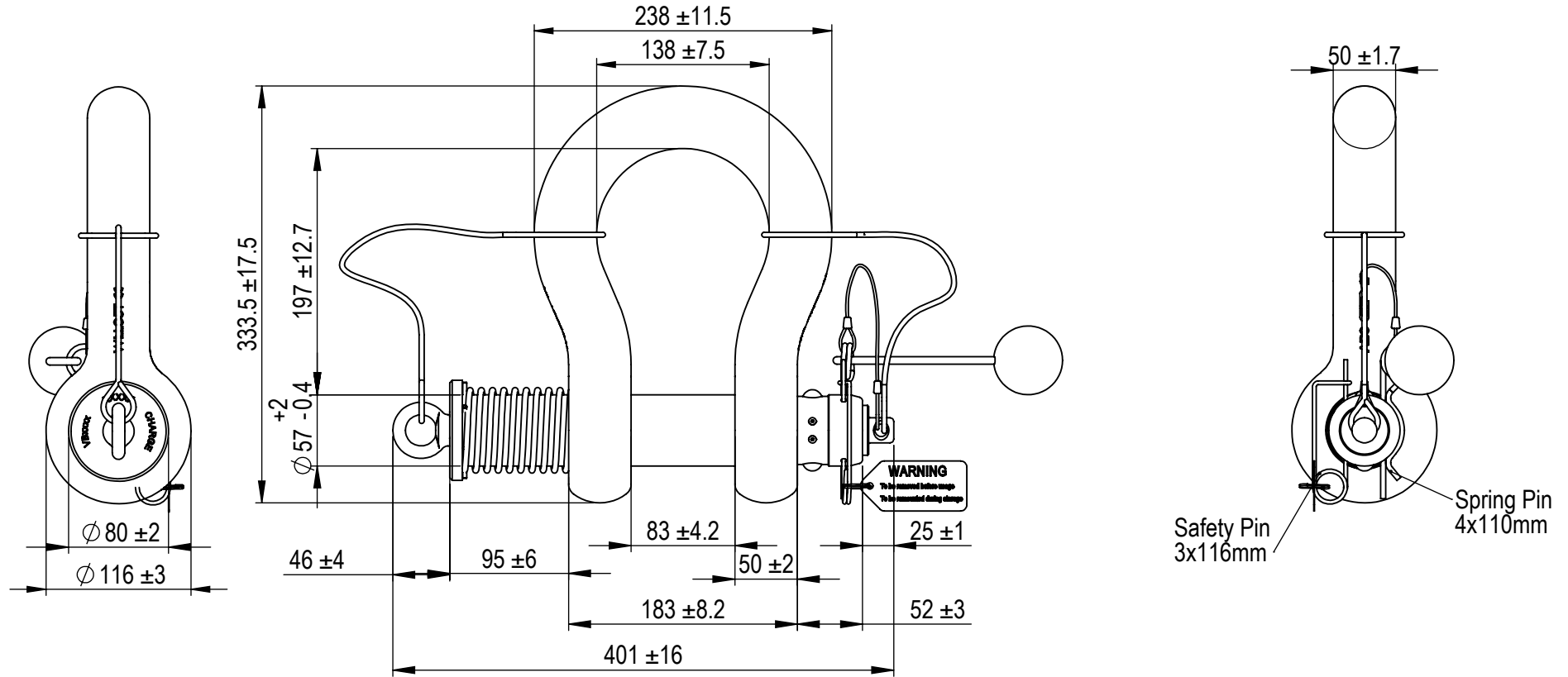


Green pin® Spring Release ROV Shackle  
 Group : P-5367  
 Part : POGHMB50ROVSRL  
 WLL : 35 t



Rev.	Description	Date	Drawn
0	First Issue	18-4-2019	RB

Copyright by Van Beest B.V. moreover this document is the property of Van Beest B.V. This document or any part of it may neither be made known, copied or multiplied, nor used for any purpose other than that for which it is specifically furnished, without the prior written consent of Van Beest B.V.

**Green Pin®**  
 P.O. Box 57, 3360 AB Sliedrecht (The Netherlands)  
 Industrieweg 6, 3361 HJ Sliedrecht  
 Tel. +31(0)184-413300 www.greenpin.com

Format	A4	
Scale	1:5	
Drawing number	6805	Rev.
		0

Title **Green pin® Spring Release ROV Shackle**

Remark  
 P-5367  
 POGHMB50ROVSRL

We reserve the right to make amendments on specifications in this drawing without prior notification.