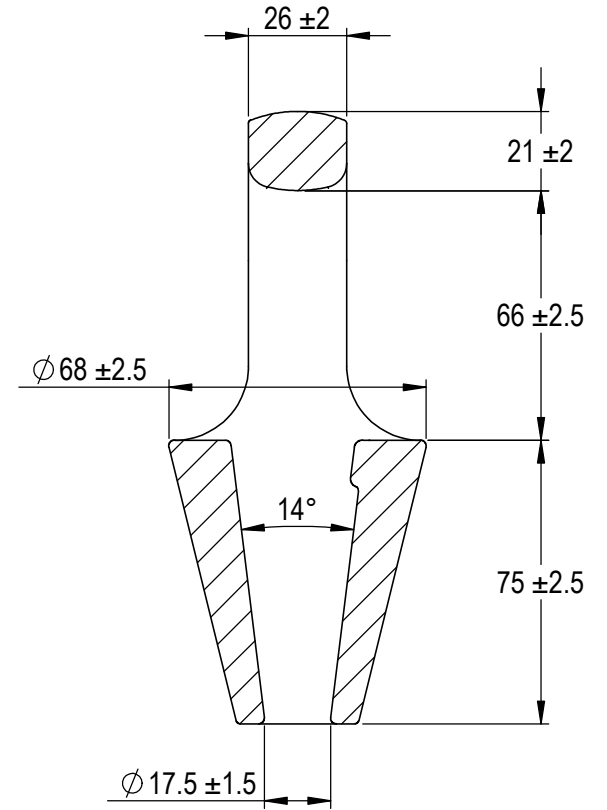
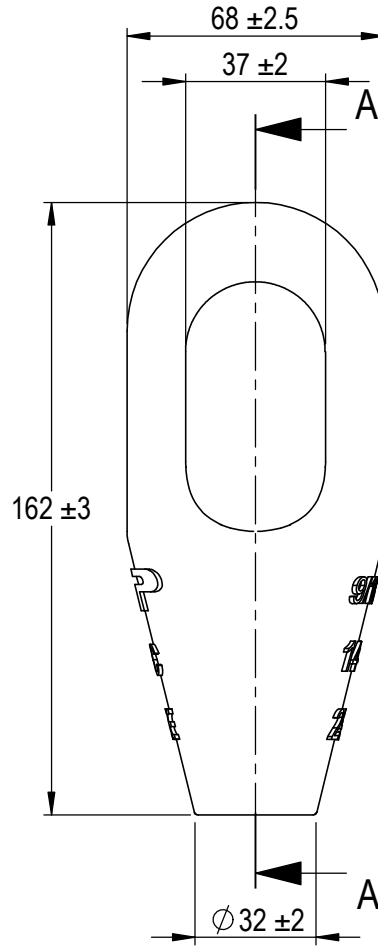
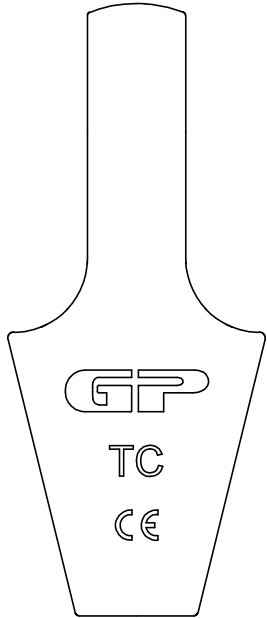
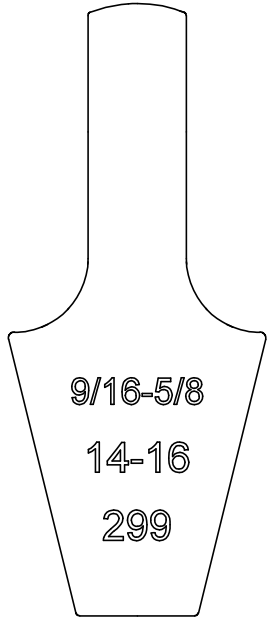


Green Pin® Closed Spelter Socket  
 Group : G-6411  
 Part : SKGCS016  
 MBL : 25t



SECTION A-A

| Rev. | Description         | Date      | Drawn |
|------|---------------------|-----------|-------|
| A    | New layout markings | 2020-11-1 | D.L.  |
| 0    | First Issue         | 2014-4-1  | T.J.  |

Copyright by Van Beest B.V. moreover this document is the property of Van Beest B.V. This document or any part of it may neither be made known, copied or multiplied, nor used for any purpose other than that for which it is specifically furnished, without the prior written consent of Van Beest B.V.

Title **Green Pin® Closed Spelter Socket**

Remark  
 G-6411  
 SKGCS016



P.O. Box 57, 3360 AB Sliedrecht (The Netherlands)  
 Industrieweg 6, 3361 HJ Sliedrecht  
 Tel. +31(0)184-413300 www.greenpin.com

|        |     |  |
|--------|-----|--|
| Format | A4  |  |
| Scale  | 1:2 |  |

|                |      |      |   |
|----------------|------|------|---|
| Drawing number | 6303 | Rev. | A |
|----------------|------|------|---|

We reserve the right to make amendments on specifications in this drawing without prior notification.