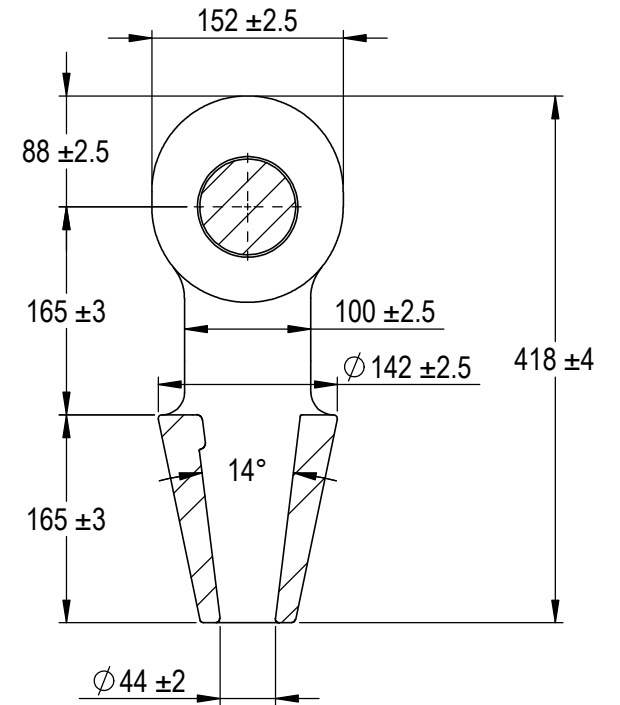
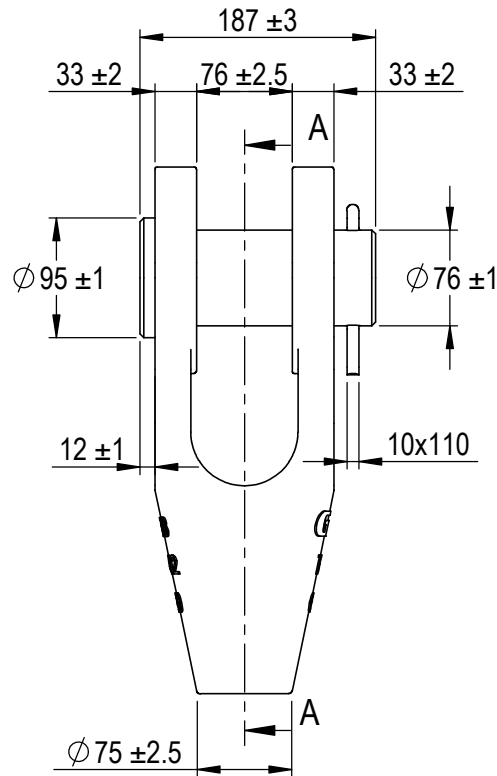
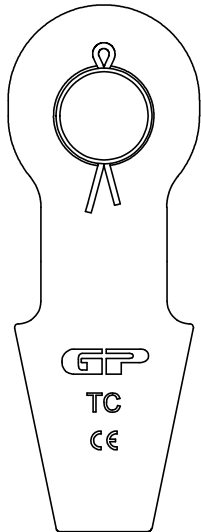


Green Pin® open spelter socket CP
 Group : G-6412
 Part : SKGOS042
 MBL : 170t



SECTION A-A

| Rev. | Description | Date | Drawn |
|------|---------------------|-----------|-------|
| A | New layout markings | 2020-11-1 | D.L |
| 0 | First Issue | 2014-4-1 | T.J. |

Copyright by Van Beest B.V. moreover this document is the property of Van Beest B.V. This document or any part of it may neither be made known, copied or multiplied, nor used for any purpose other than that for which it is specifically furnished, without the prior written consent of Van Beest B.V.

Title **Green Pin® open spelter socket CP**
Open spelter socket with cotter pin

Remark
 G-6412
 SKGOS042



P.O. Box 57, 3360 AB Sliedrecht (The Netherlands)
 Industrieweg 6, 3361 HJ Sliedrecht
 Tel. +31(0)184-413300 www.greenpin.com

| | | | |
|----------------|------|------|---|
| Format | A4 | | |
| Scale | 1:6 | | |
| Drawing number | 6360 | Rev. | A |

We reserve the right to make amendments on specifications in this drawing without prior notification.