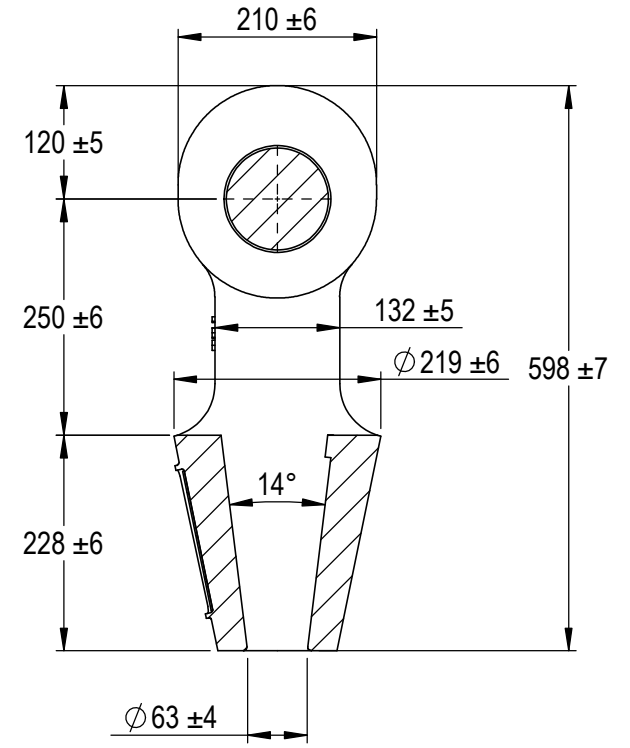
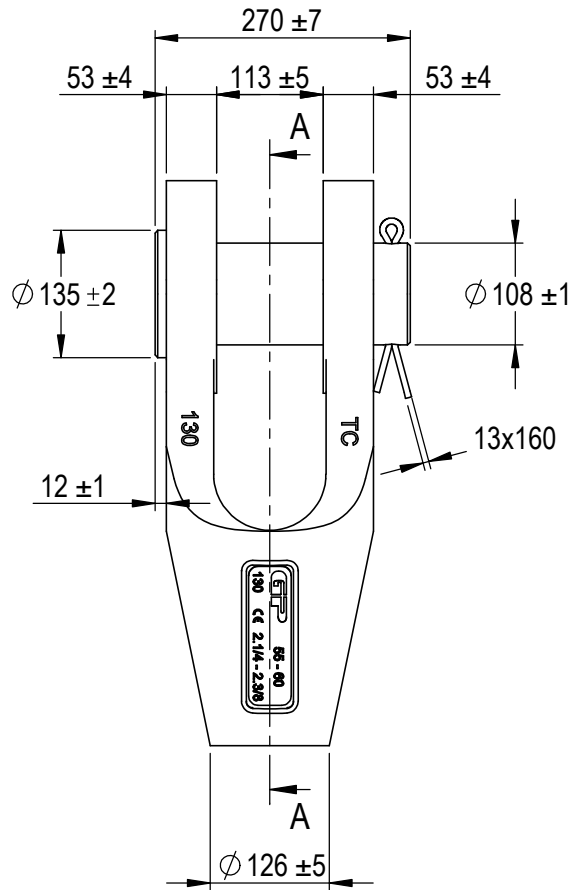
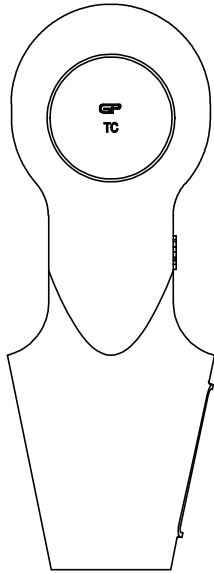


Green Pin® open spelter socket CP  
 Group : G-6412  
 Part : SKGOS057  
 MBL : 360t



SECTION A-A

A	New layout markings	2020-11-1	D.L
0	First Issue	2014-4-1	R.CH
Rev.	Description	Date	Drawn
Copyright by Van Beest B.V. moreover this document is the property of Van Beest B.V. This document or any part of it may neither be made known, copied or multiplied, nor used for any purpose other than that for which it is specifically furnished, without the prior written consent of Van Beest B.V.			
Title <b>Green Pin® open spelter socket CP</b>		Remark	
<b>Open spelter socket with cotter pin</b>		G-6412 SKGOS057	

**Green Pin®**  
 P.O. Box 57, 3360 AB Sliedrecht (The Netherlands)  
 Industrieweg 6, 3361 HJ Sliedrecht  
 Tel. +31(0)184-413300 www.greenpin.com

Format	A4	
Scale	1:8	
Drawing number		Rev.
6363		A

We reserve the right to make amendments on specifications in this drawing without prior notification.