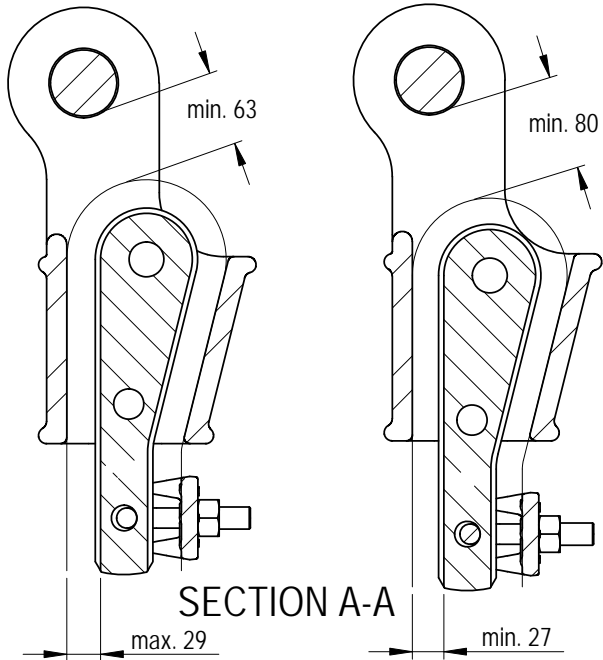
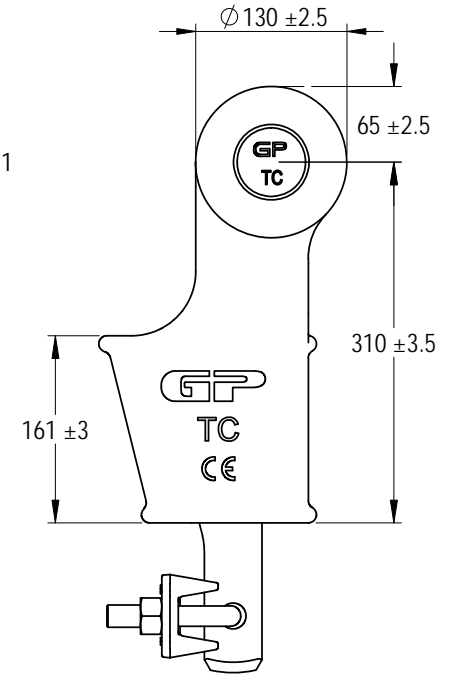
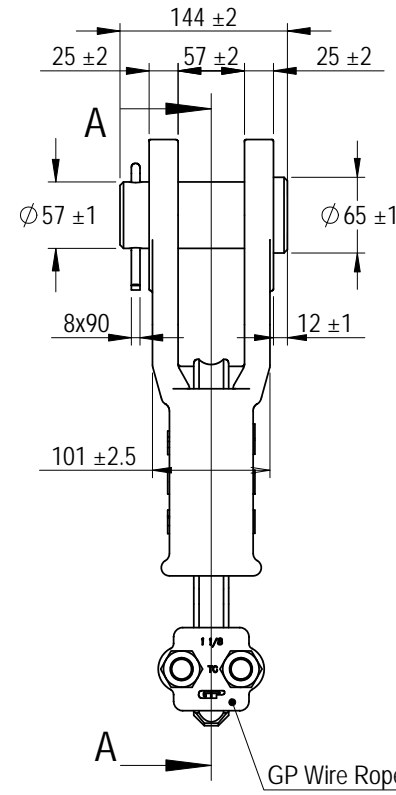
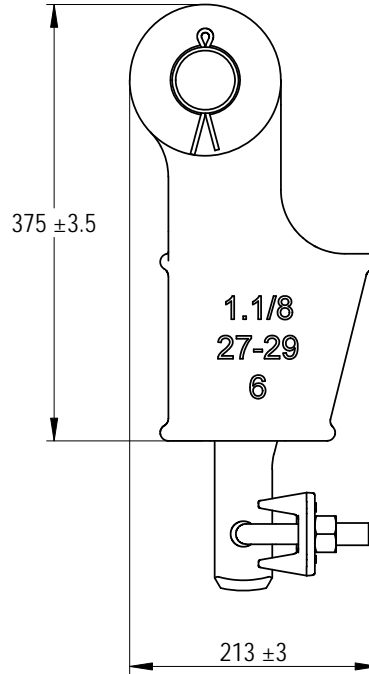


Green Pin® Open Long Wedge Socket CP  
 Group : G-6419  
 Part : SKGOW028L  
 MBL : 90t

1

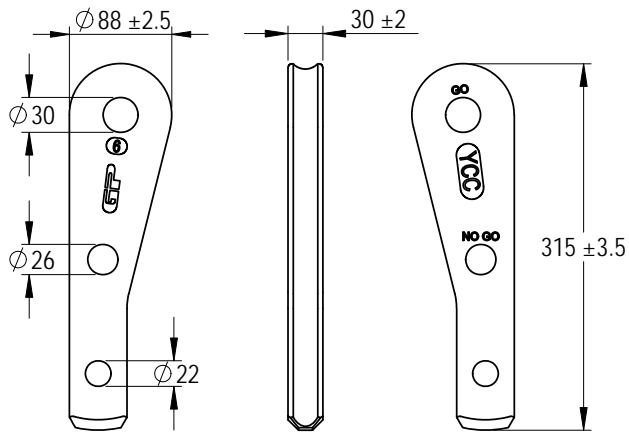


SECTION A-A



2

3



Rev.	Description	Date	Drawn
0	First Issue	2022/6/1	DL

Copyright by Van Beest B.V. moreover this document is the property of Van Beest B.V. This document or any part of it may neither be made known, copied or multiplied, nor used for any purpose other than that for which it is specifically furnished, without the prior written consent of Van Beest B.V.

Title **Green Pin® Open Long Wedge Socket CP**  
 Open wedge socket with longer wedge, wire rope clip and cotter pin

Remark  
 G-6419  
 SKGOW028L



P.O. Box 57, 3360 AB Sliedrecht (The Netherlands)  
 Industrieweg 6, 3361 HJ Sliedrecht  
 Tel. +31(0)184-413300 www.greenpin.com

Format	A4		
Scale	1:6.5		
Drawing number	6676	Drawing number	6676
Rev.	0	Rev.	0

We reserve the right to make amendments on specifications in this drawing without prior notification.

A

B

C

D

E

F

1

2

3

4