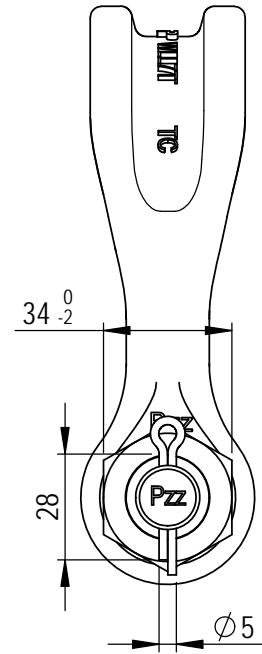
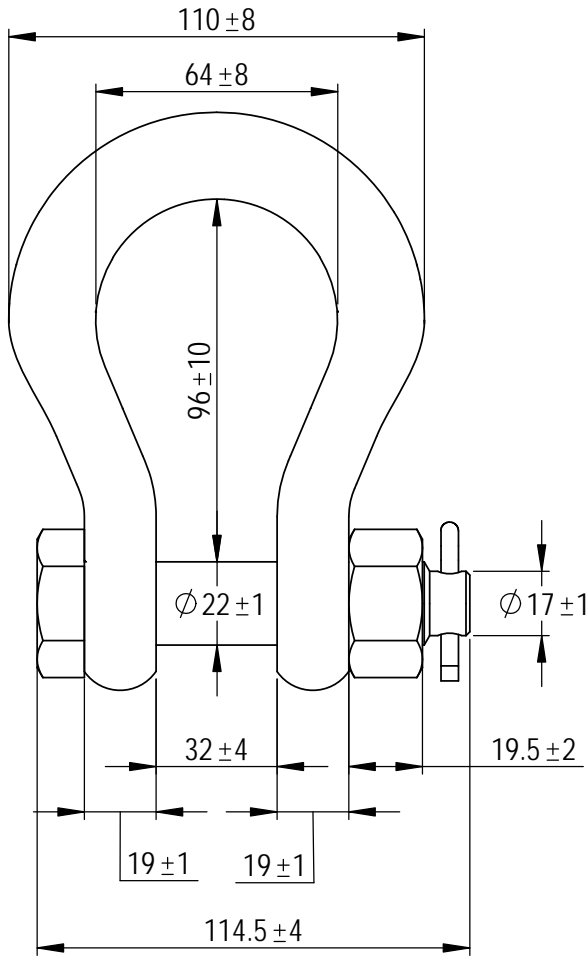
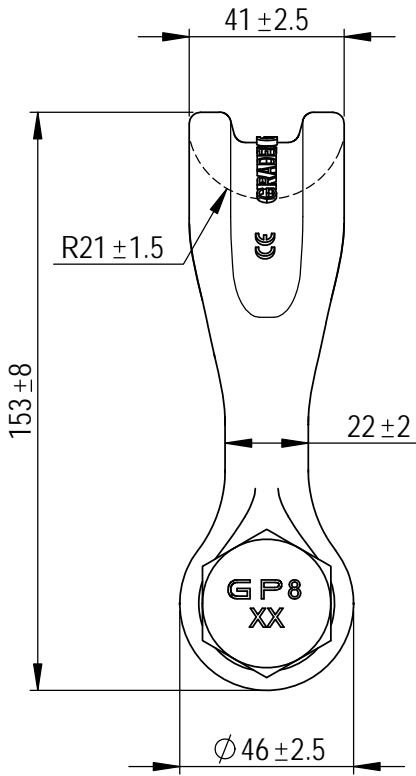
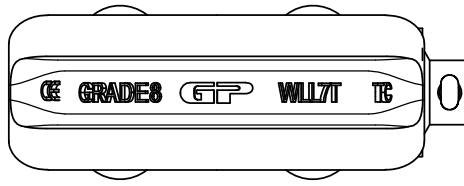


Green Pin® Sling Shackles
 Group : P-6033
 Part : SLGPF0007
 WLL : 7t



We reserve the right to make amendments on specifications in this drawing without prior notification.



P.O. Box 57, 3360 AB Sliedrecht
 (The Netherlands)
 Industrieweg 6, 3361 HJ Sliedrecht
 Tel. +31(0)184-413300 www.vanbeest.nl

Rev.	Description	Date	Drawn
0	First Issue	01-01-2016	R.CH

Copyright by Van Beest B.V. moreover this document is the property of Van Beest B.V. This document or any part of it may neither be made known, copied or multiplied, nor used for any purpose other than that for which it is specifically furnished, without the prior written consent of Van Beest B.V.

Title **Green Pin® Sling Shackles
 bow shackles with safty bolt**

Remark
 P-6033
 SLGPF0007

Format	A4		
Scale	1:2		
Drawing number		5272	Rev.
			0