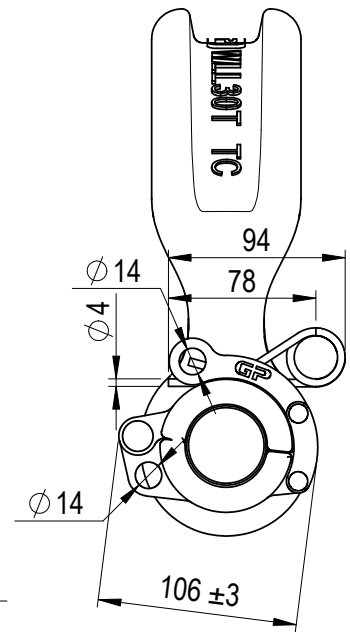
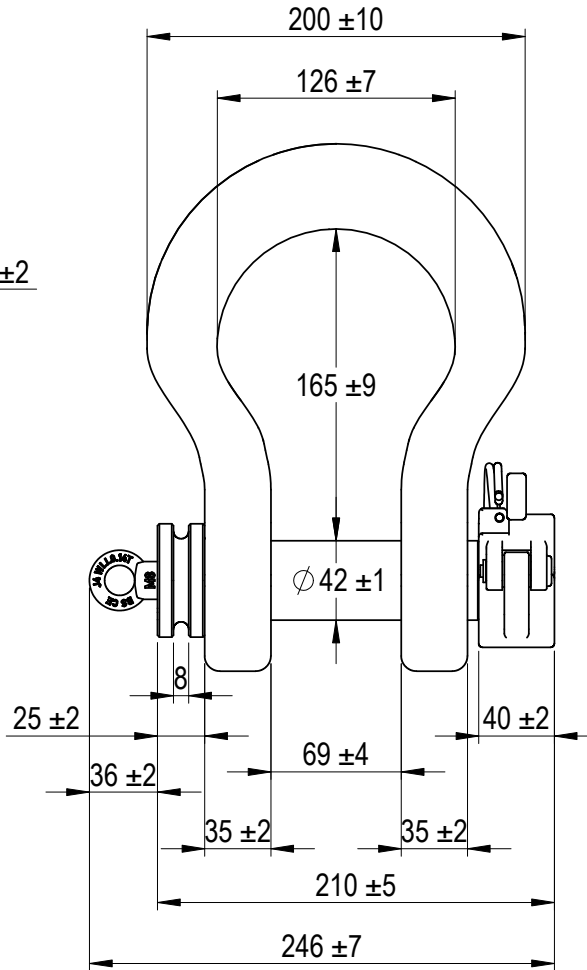
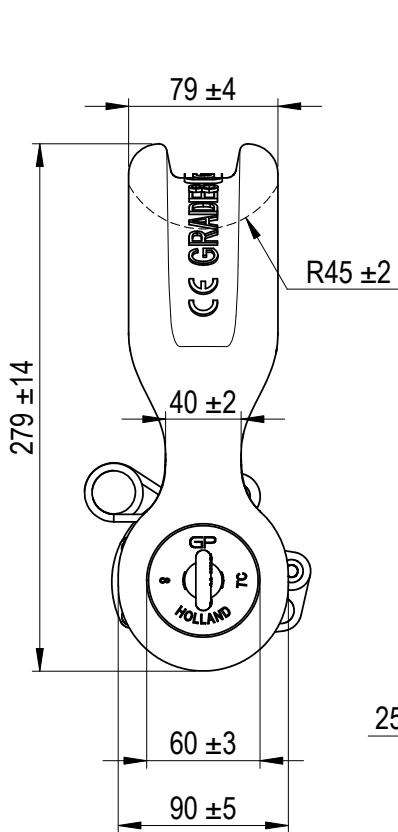
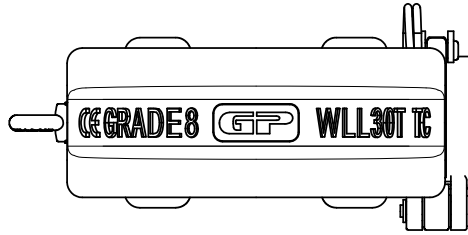


Green Pin® Locking Clamp ROV Sling Shackle

Group : P-6065

Part : SLGPF0030ROVRLLC

WLL : 30t



We reserve the right to make amendments on specifications in this drawing without prior notification.

Rev.	Description	Date	Drawn
O	First Issue	01-07-2021	DL

Copyright by Van Beest B.V. moreover this document is the property of Van Beest B.V. This document or any part of it may neither be made known, copied or multiplied, nor used for any purpose other than that for which it is specifically furnished, without the prior written consent of Van Beest B.V.



P.O. Box 57, 3360 AB Sliedrecht (The Netherlands)
 Industrieweg 6, 3361 HJ Sliedrecht
 Tel. +31(0)184-413300 www.greenpin.com

Format	A4		
Scale	1:4		
Drawing number	5572	Rev.	O

Title Green Pin® Locking Clamp ROV Sling Shackle
 Release ROV Sling shackle (grade 8) with locking clamp

Remark
 P-6065
 SLGPF0030ROVRLLC