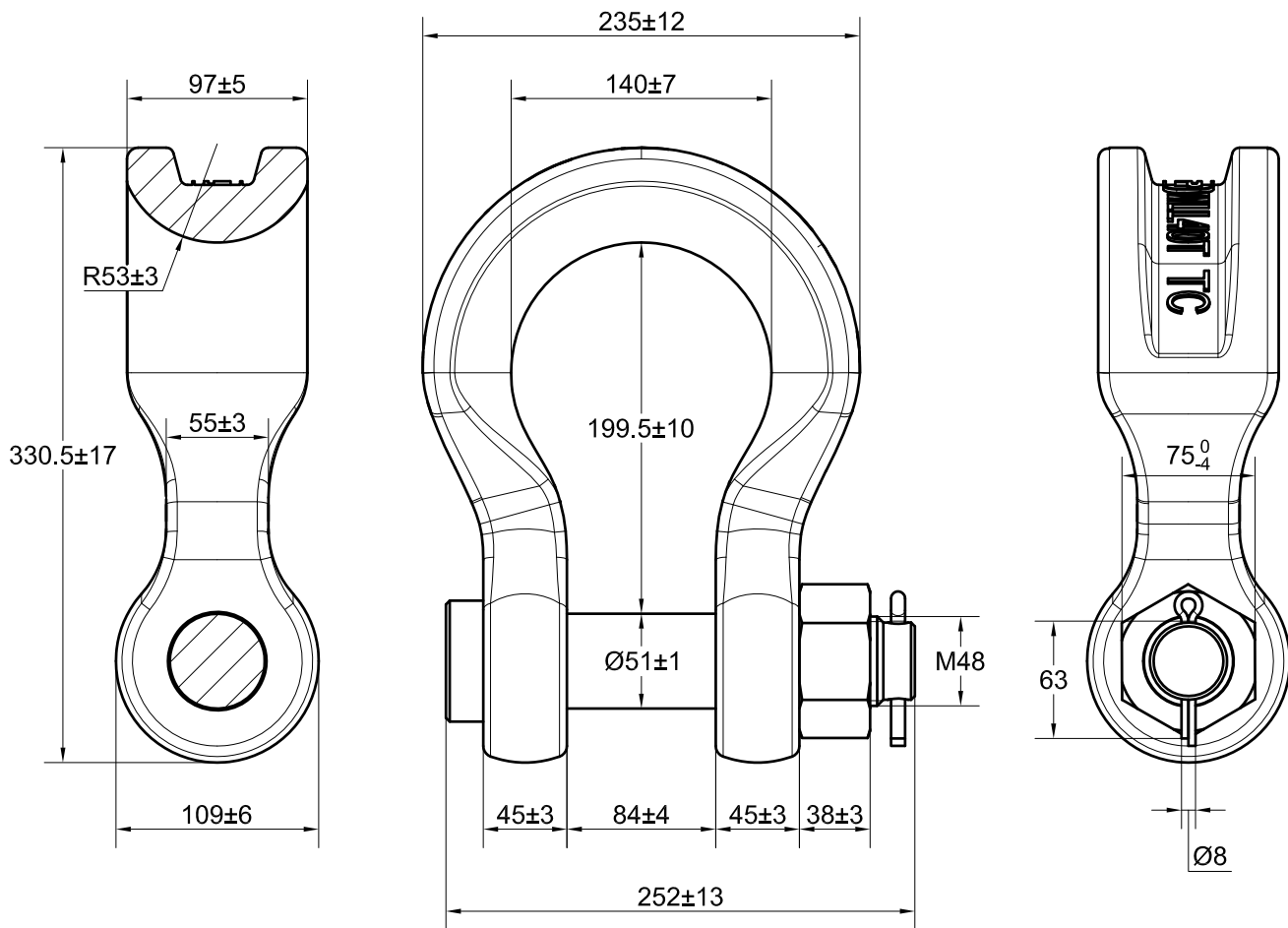
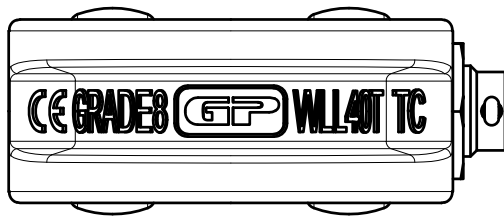


Green Pin® Sling Shackle

Group : P-6033

Part : SLGPF0040

WLL : 40t



We reserve the right to make amendments on specifications in this drawing without prior notification.

0	First Issue	2010-9-6	D.L.
Rev.	Description	Date	Drawn
Copyright by Van Beest B.V. moreover this document is the property of Van Beest B.V. This document or any part of it may neither be made known, copied or multiplied, nor used for any purpose other than that for which it is specifically furnished, without the prior written consent of Van Beest B.V.			
Title Green Pin® Sling Shackle bow shackle with safety bolt		Remark P-6033 SLGPF0040	



P.O. Box 57, 3360 AB Slidrecht
(The Netherlands)
Industrieweg 6, 3361 HJ Slidrecht
Tel. 0184-413300 Fax. 0184-413101

Format	A4	
Scale	1:4	
Drawing number	5276	Rev. O