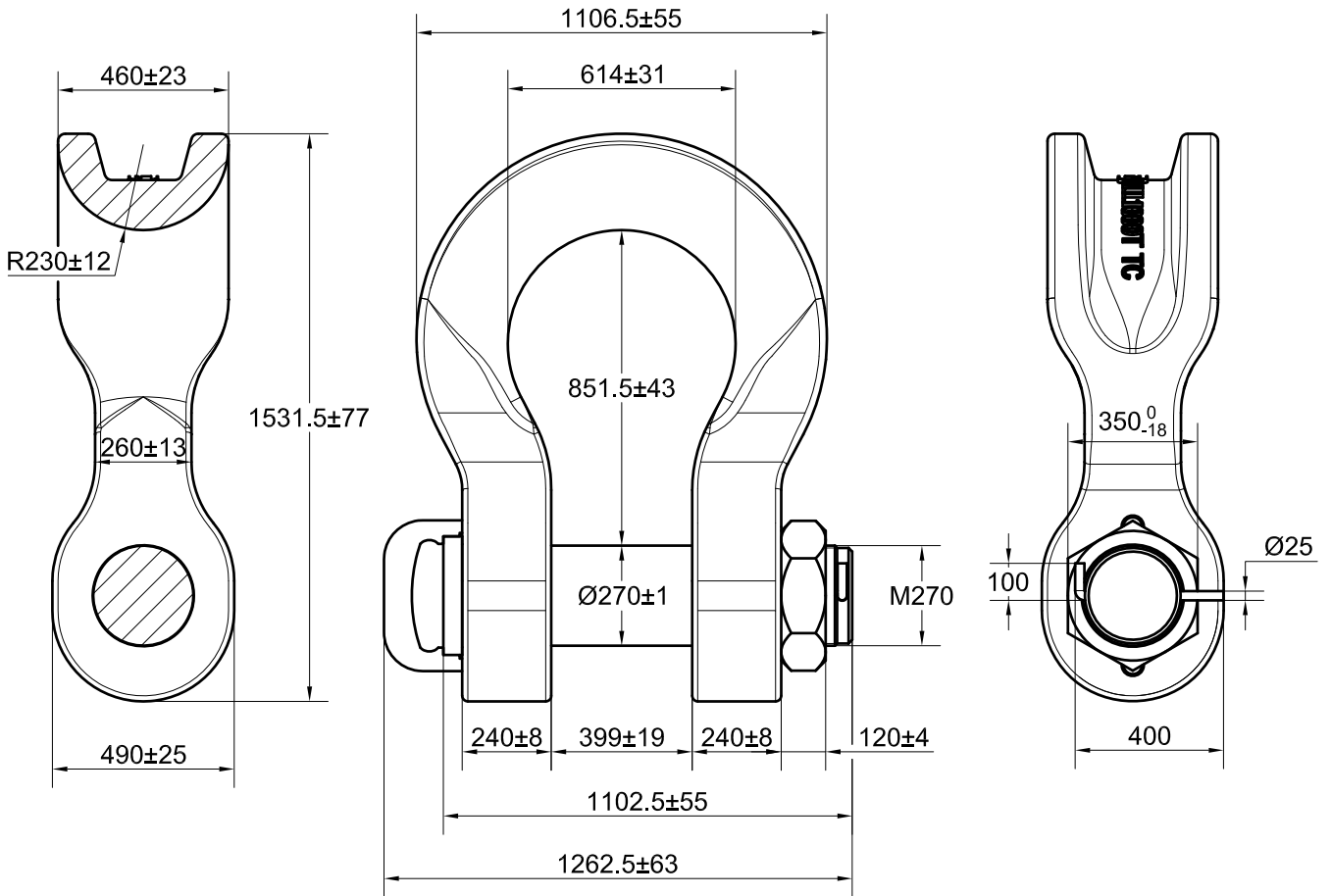
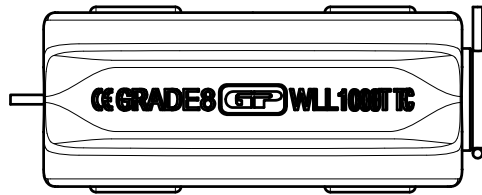


# Green Pin® Sling Shackle

Group : P-6033

Part : SLGPF1000

WLL : 1000t



We reserve the right to make amendments on specifications in this drawing without prior notification.

Rev.	Description	Date	Drawn
0	First Issue	2010-9-6	D.L.

Copyright by Van Beest B.V. moreover this document is the property of Van Beest B.V. This document or any part of it may neither be made known, copied or multiplied, nor used for any purpose other than that for which it is specifically furnished, without the prior written consent of Van Beest B.V.

<b>Title</b>	<b>Green Pin® Sling Shackle</b> bow shackle with safety bolt	<b>Remark</b>	P-6033 SLGPF1000
--------------	---	---------------	---------------------



P.O. Box 57, 3360 AB Sliedrecht  
(The Netherlands)  
Industrieweg 6, 3361 HJ Sliedrecht  
Tel. 0184-413300 Fax. 0184-413101

<b>Format</b>	A4	
<b>Scale</b>	1:20	
<b>Drawing number</b>	5290	<b>Rev.</b>
		O

A

B

C

D