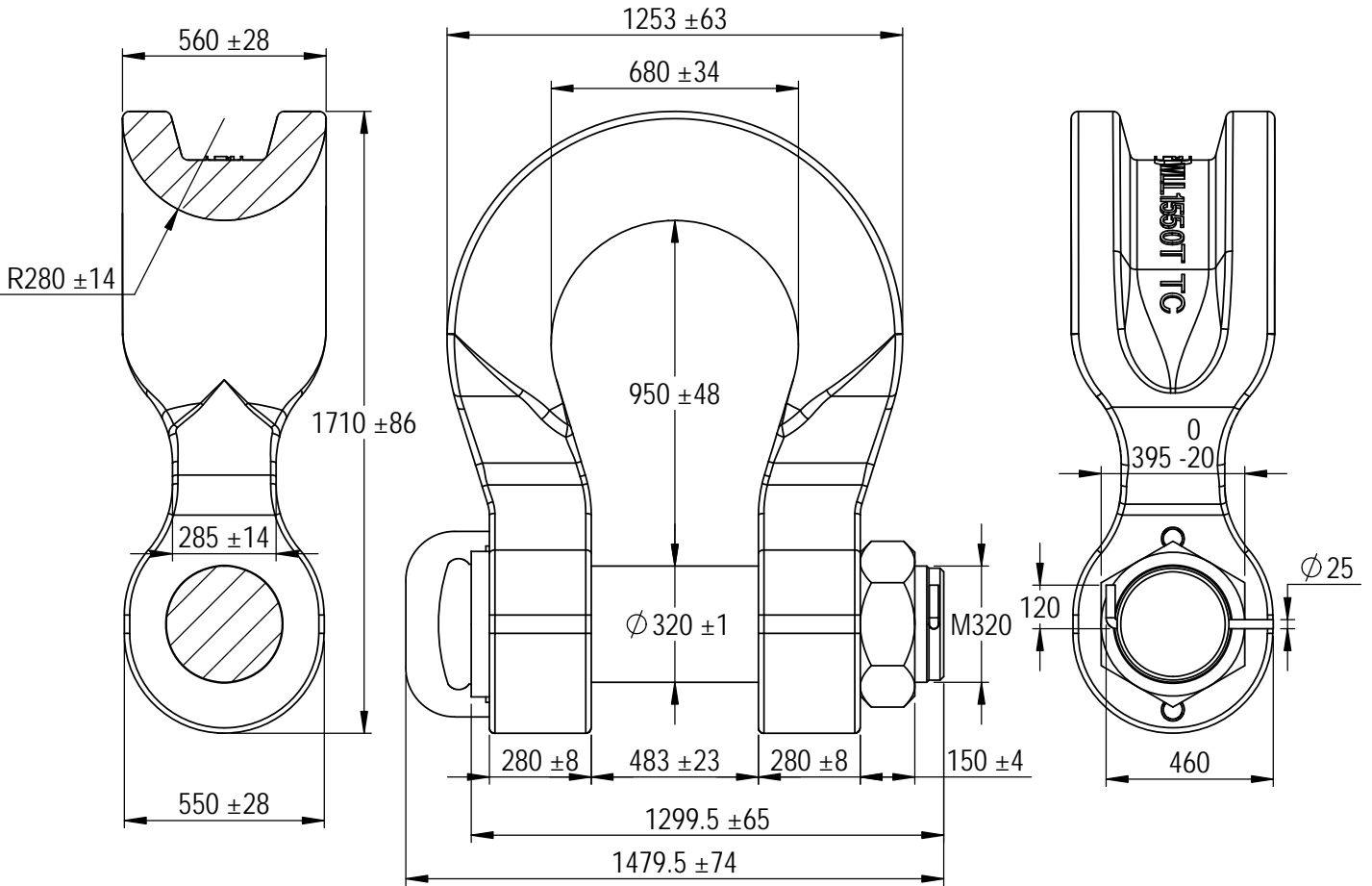
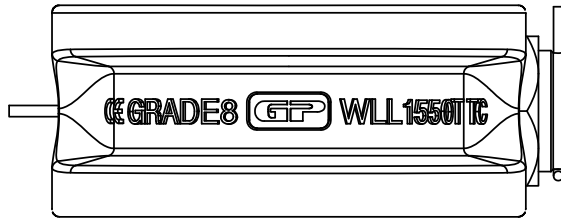


Green Pin® Sling Shackle  
 Group : P-6033  
 Part : SLGPF1550  
 WLL : 1550t



We reserve the right to make amendments on specifications in this drawing without prior notification.

Rev.	Description	Date	Drawn
A	Marking and Tonnes modification	2013-6-13	T.J.
0	First Issue	2010-9-6	D.L.



P.O. Box 57, 3360 AB Sliedrecht  
 (The Netherlands)  
 Industrieweg 6, 3361 HJ Sliedrecht  
 Tel. +31(0)184-413300 www.vanbeest.nl

Copyright by Van Beest B.V. moreover this document is the property of Van Beest B.V. This document or any part of it may neither be made known, copied or multiplied, nor used for any purpose other than that for which it is specifically furnished, without the prior written consent of Van Beest B.V.

Title **Green Pin® Sling Shackle**  
**bow shackle with safety bolt**

Remark  
 P-6033  
 SLGPF1550

Format	A4		
Scale	1:20		
Drawing number		Rev.	
5292		A	