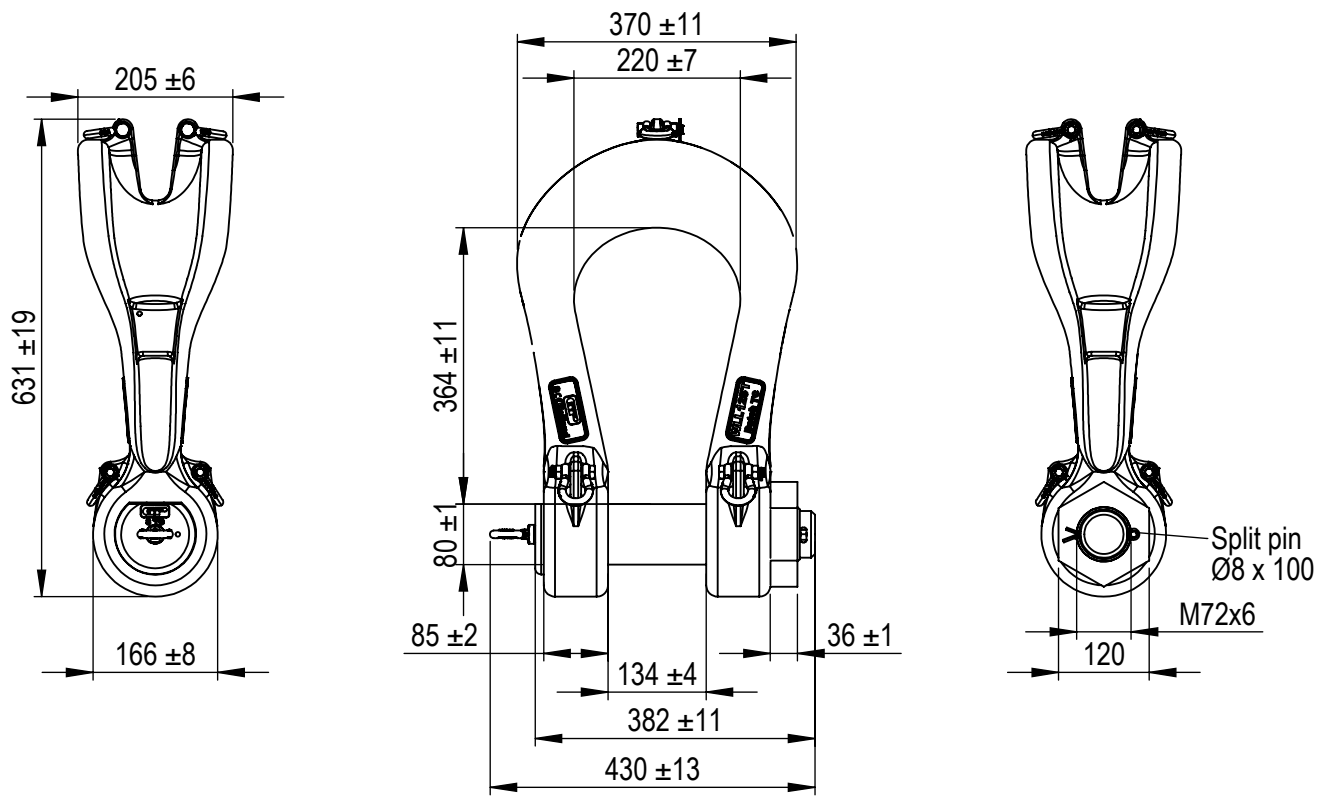


Green Pin® Power Sling Shackle

Group : P-6043
 Part : SLPGP0125
 WLL : 125t



We reserve the right to make amendments on specifications in this drawing without prior notification.

| Rev. | Description | Date | Drawn |
|------|-------------|-----------|-------|
| 0 | First Issue | 24-4-2017 | RB |



P.O. Box 57, 3360 AB Sliedrecht
 (The Netherlands)
 Industrieweg 6, 3361 HJ Sliedrecht
 Tel. +31(0)184-413300 www.vanbeest.nl

Copyright by Van Beest B.V. moreover this document is the property of Van Beest B.V. This document or any part of it may neither be made known, copied or multiplied, nor used for any purpose other than that for which it is specifically furnished, without the prior written consent of Van Beest B.V.

Title **Green Pin® Power Sling Shackle**
 bow shackle with safety bolt

Remark
 P-6043
 SLPGP0125

| | | | |
|----------------|------|------|---|
| Format | A4 | | |
| Scale | 1:10 | | |
| Drawing number | 5173 | Rev. | 0 |