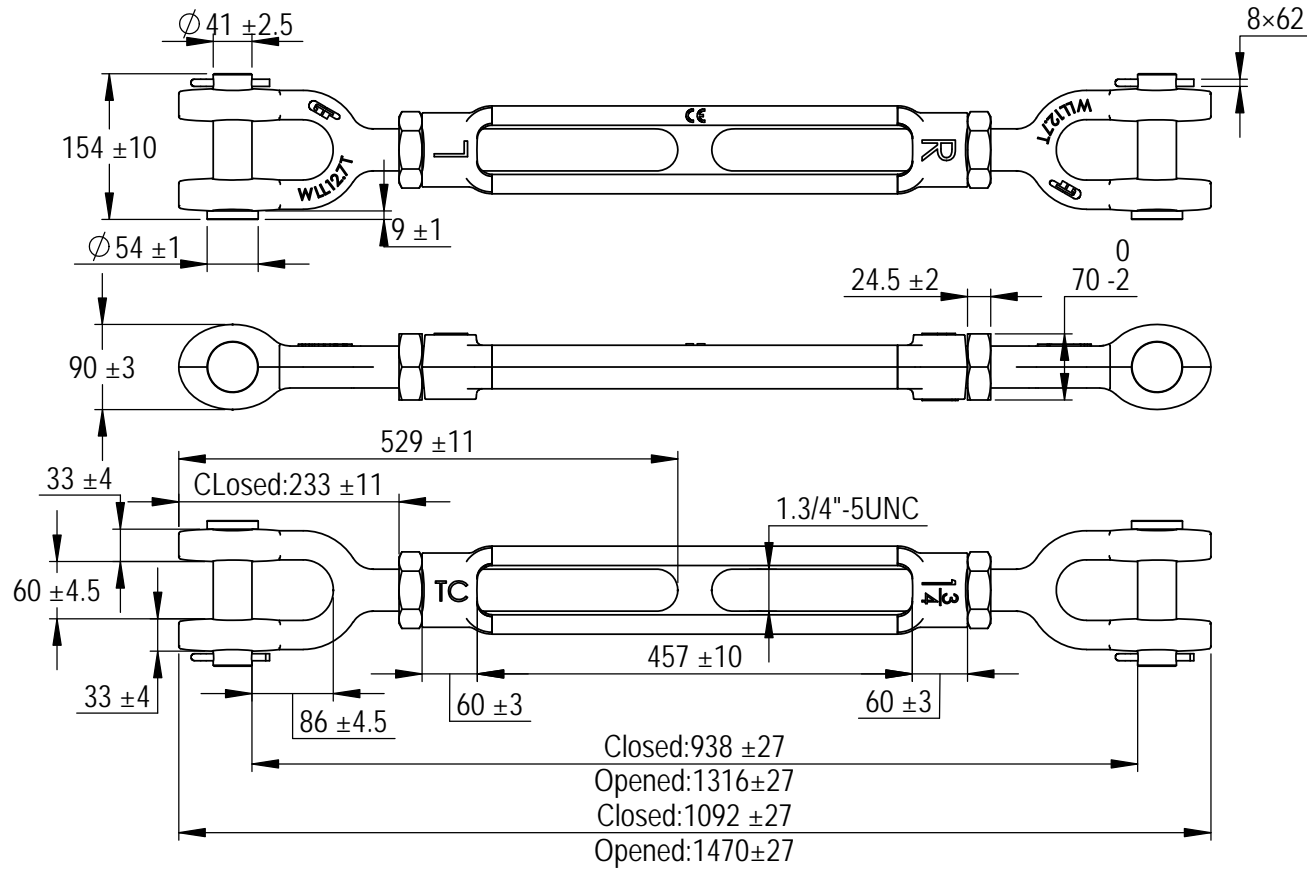


Green Pin® turnbuckles Jaw-Jaw
 Group : G-6313
 Part : SSGPGG4518
 WLL : 12.7t



0	First Issue	2013-10-1	T.J.
Rev.	Description	Date	Drawn
Copyright by Van Beest B.V. moreover this document is the property of Van Beest B.V. This document or any part of it may neither be made known, copied or multiplied, nor used for any purpose other than that for which it is specifically furnished, without the prior written consent of Van Beest B.V.			
Title Green Pin® turnbuckles Jaw-Jaw generally to ASTM F1145-92		Remark G-6313 SSGPGG4518	



P.O. Box 57, 3360 AB Sliedrecht
 (The Netherlands)
 Industrieweg 6, 3361 HJ Sliedrecht
 Tel. +31(0)184-413300 www.vanbeest.nl

Format	A4	
Scale	1:8	
Drawing number	5316	Rev.
		0

We reserve the right to make amendments on specifications in this drawing without prior notification.

