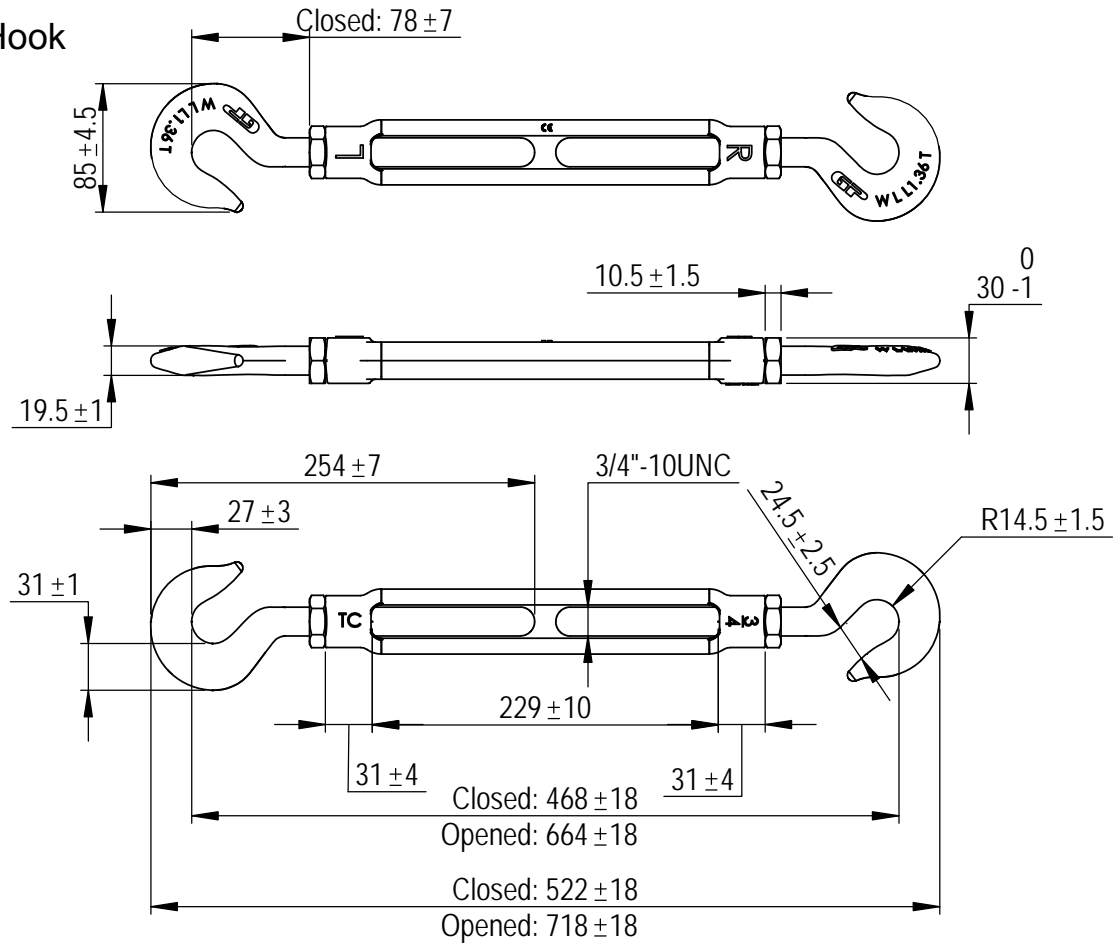




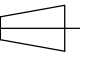
Green Pin® turnbuckles Hook-Hook  
 Group : G-6312  
 Part : SSGPHH1909  
 WLL : 1.36t



0	First Issue	2013-10-1	R.CH
Rev.	Description	Date	Drawn
Copyright by Van Beest B.V. moreover this document is the property of Van Beest B.V. This document or any part of it may neither be made known, copied or multiplied, nor used for any purpose other than that for which it is specifically furnished, without the prior written consent of Van Beest B.V.			
Title <b>Green Pin® turnbuckles Hook-Hook generally to ASTM F1145-92</b>		Remark G-6312 SSGPHH1909	

**VAN BEEST** 

P.O. Box 57, 3360 AB Sliedrecht  
 (The Netherlands)  
 Industrieweg 6, 3361 HJ Sliedrecht  
 Tel. +31(0)184-413300 www.vanbeest.nl

Format	A4		
Scale	1:5		
Drawing number		5408	Rev.
		0	0

We reserve the right to make amendments on specifications in this drawing without prior notification.