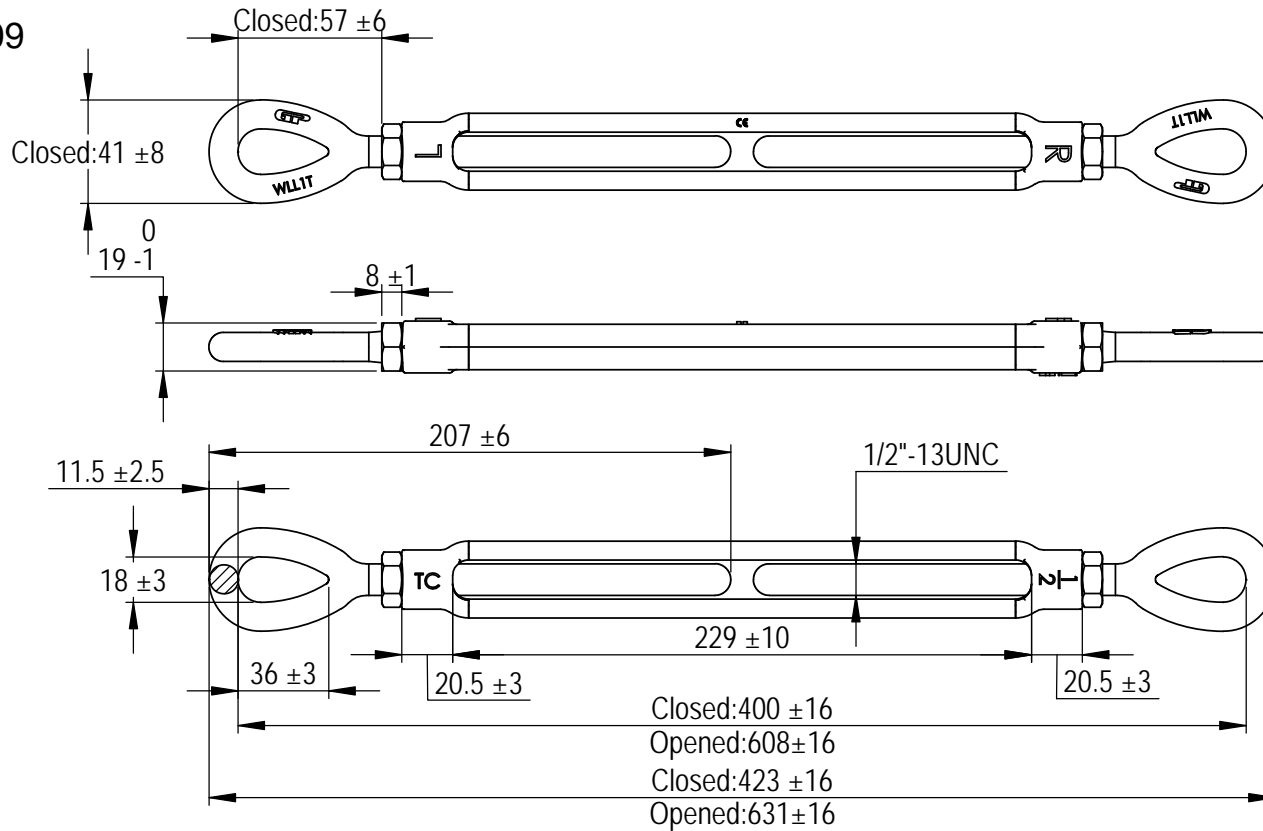


Green Pin® turnbuckles Eye-Eye

Group : G-6311

Part : SSGPOO1209

WLL : 1t



0	First Issue	2013-10-1	T.J.
Rev.	Description	Date	Drawn
Copyright by Van Beest B.V. moreover this document is the property of Van Beest B.V. This document or any part of it may neither be made known, copied or multiplied, nor used for any purpose other than that for which it is specifically furnished, without the prior written consent of Van Beest B.V.			
Title Green Pin® turnbuckles Eye-Eye generally to ASTM F1145-92		Remark G-6311 SSGPOO1209	



P.O. Box 57, 3360 AB Slidrecht
(The Netherlands)
Industrieweg 6, 3361 HJ Slidrecht
Tel. +31(0)184-413300 www.vanbeest.nl

Format	A4	
Scale	1:3	
Drawing number	5352	Rev.
		0

We reserve the right to make amendments on specifications in this drawing without prior notification.