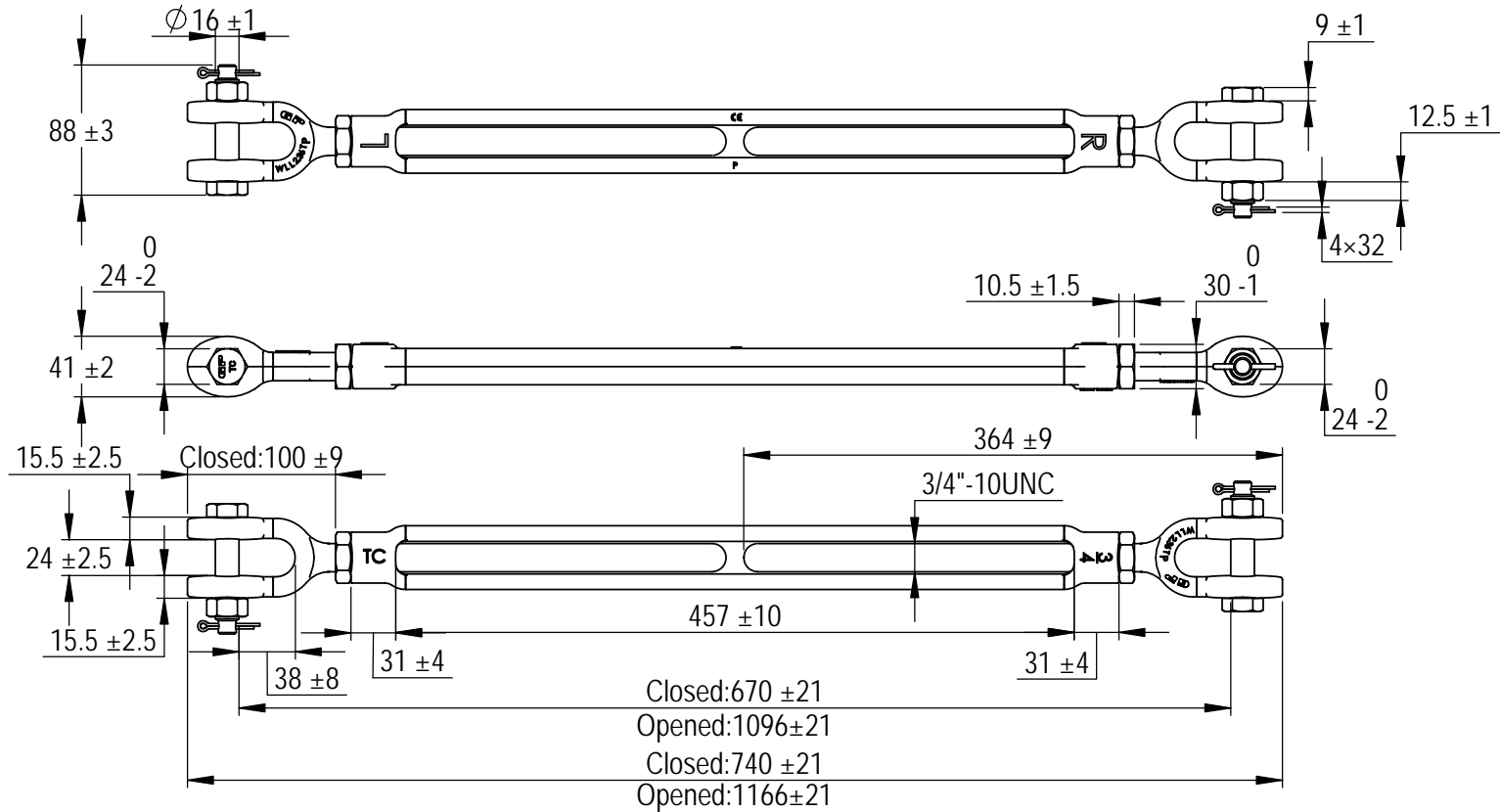


Green Pin® Polar turnbuckles Jaw-Jaw with safety bolt

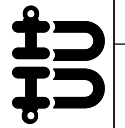
Group : G-6333

Part : SSGPPOGG1918

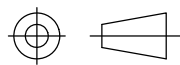
WLL : 2.36t



0	First Issue	2014-6-1	T.J.
Rev.	Description	Date	Drawn
Copyright by Van Beest B.V. moreover this document is the property of Van Beest B.V. This document or any part of it may neither be made known, copied or multiplied, nor used for any purpose other than that for which it is specifically furnished, without the prior written consent of Van Beest B.V.			
Title Green Pin® Polar turnbuckles Jaw-Jaw with safety bolt generally to ASTM F1145-92		Remark G-6333 SSGPPOGG1918	

VAN BEEST 

P.O. Box 57, 3360 AB Sliedrecht
(The Netherlands)
Industrieweg 6, 3361 HJ Sliedrecht
Tel. +31(0)184-413300 www.vanbeest.nl

Format	A4	
Scale	1:5	
Drawing number	5602	Rev.
	0	

We reserve the right to make amendments on specifications in this drawing without prior notification.