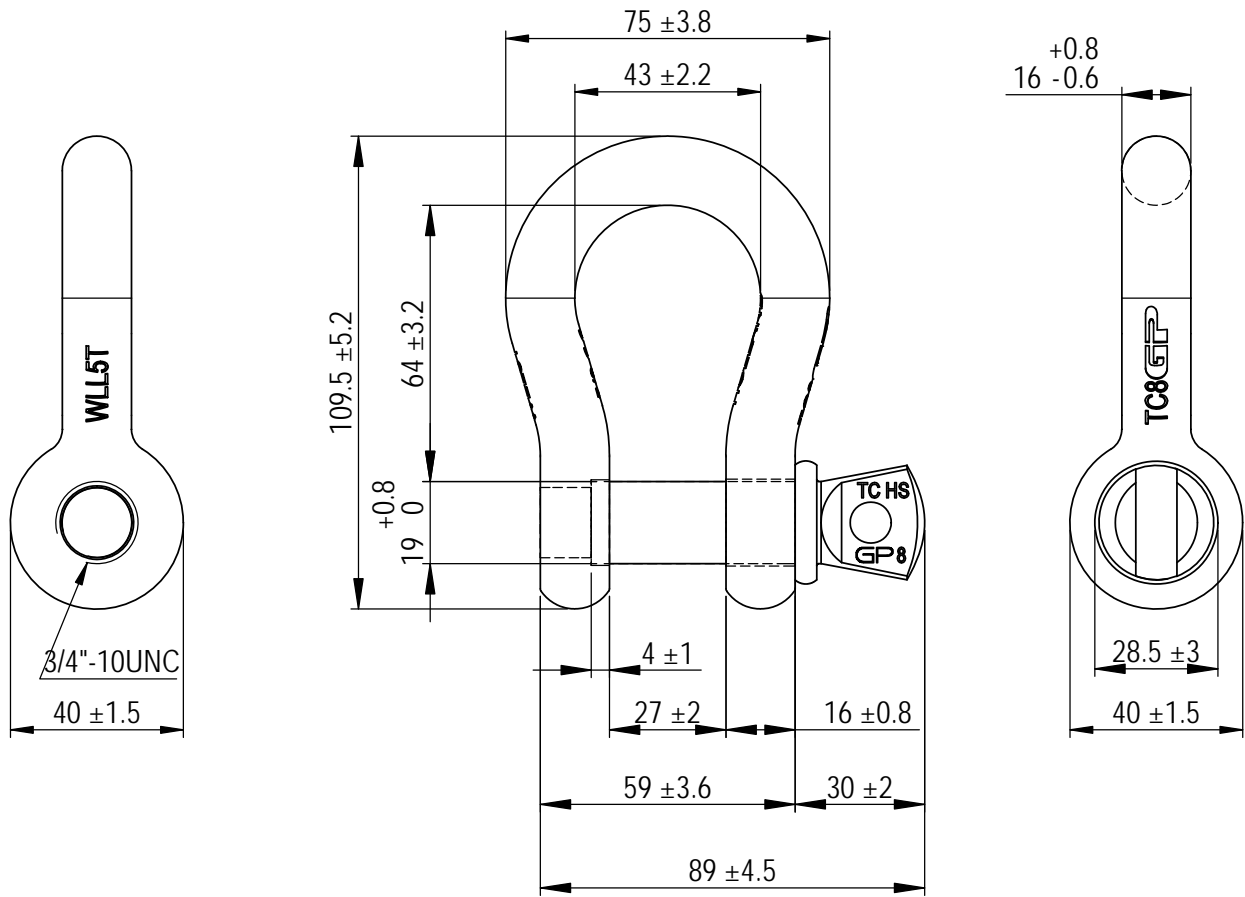



Green Pin Super® Bow Shackle SC
 Group : G-5261
 Part : SUGHBB16
 WLL : 5t



We reserve the right to make amendments on specifications in this drawing without prior notification.


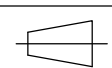
Rev.	Description	Date	Drawn
A	Drawing updated	2022-1-1	DL
0	First Issue	2016-9-1	DL

Copyright by Van Beest B.V. moreover this document is the property of Van Beest B.V. This document or any part of it may neither be made known, copied or multiplied, nor used for any purpose other than that for which it is specifically furnished, without the prior written consent of Van Beest B.V.



Green Pin®

P.O. Box 57, 3360 AB Sliedrecht (The Netherlands)
 Industrieweg 6, 3361 HJ Sliedrecht
 Tel. +31(0)184-413300 www.greenpin.com

Format	A4	 	
Scale	1:1.75		
Drawing number		Rev.	
5551		A	

Title **Green Pin Super® Bow Shackle SC**
Grade 8 bow shackle with screw pin

Remark
 G-5261
 SUGHBB16