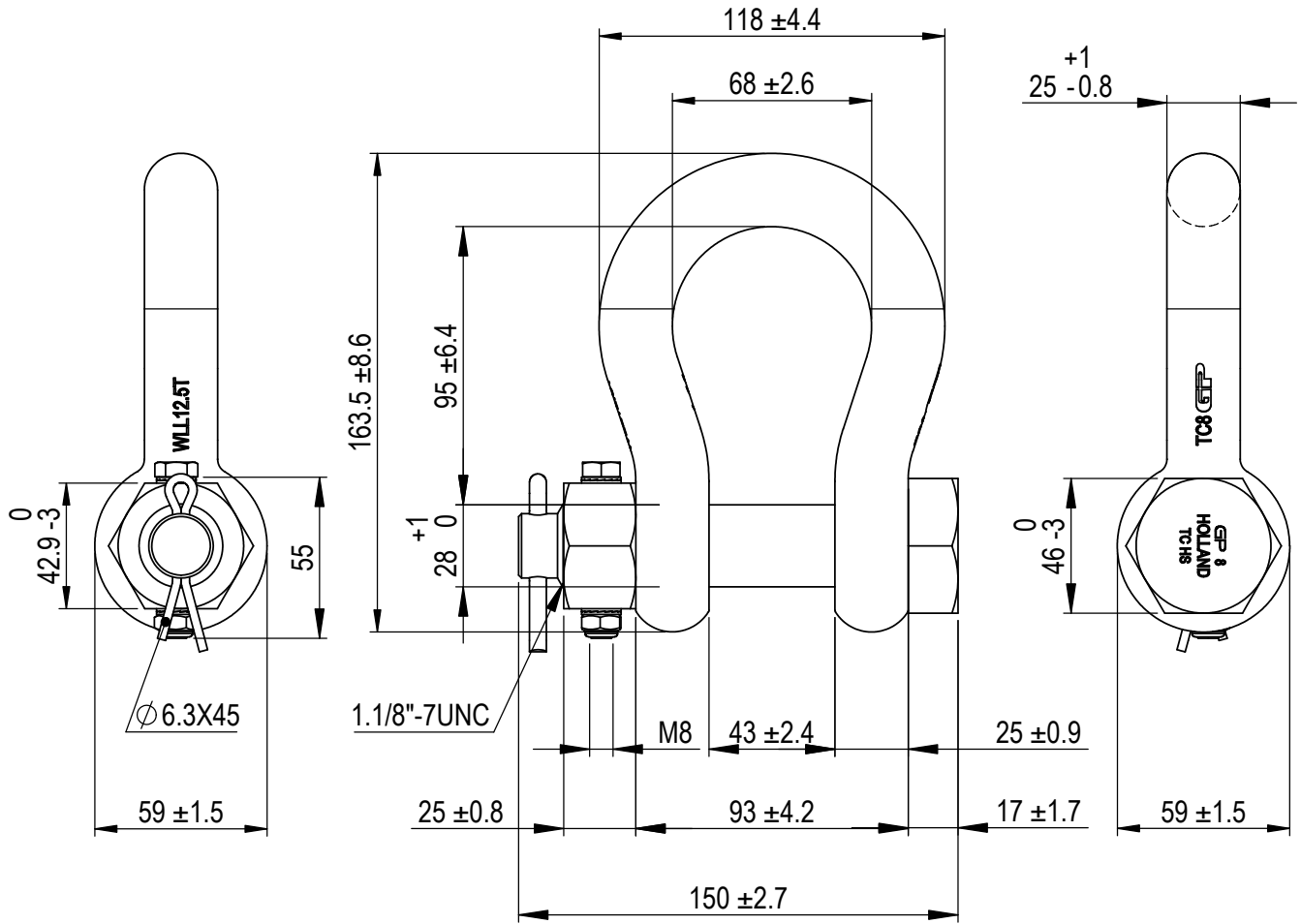


Green Pin Super® Bow Shackle FN
 Group : G-5243
 Part : SUGHMB25FN
 WLL : 12.5t



We reserve the right to make amendments on specifications in this drawing without prior notification.

Rev.	Description	Date	Drawn
0	First Issue	2022-1-1	DL

Copyright by Van Beest B.V. moreover this document is the property of Van Beest B.V. This document or any part of it may neither be made known, copied or multiplied, nor used for any purpose other than that for which it is specifically furnished, without the prior written consent of Van Beest B.V.



Green Pin®
 P.O. Box 57, 3360 AB Sliedrecht (The Netherlands)
 Industrieweg 6, 3361 HJ Sliedrecht
 Tel. +31(0)184-413300 www.greenpin.com

Format A4
 Scale 1:2.5




Title Green Pin Super® Bow Shackle FN Grade 8 bow shackle with safety bolt and fixed nut		Remark G-5243 SUGHMB25FN	Drawing number 6874	Rev. 0
--	--	--------------------------------	------------------------	-----------