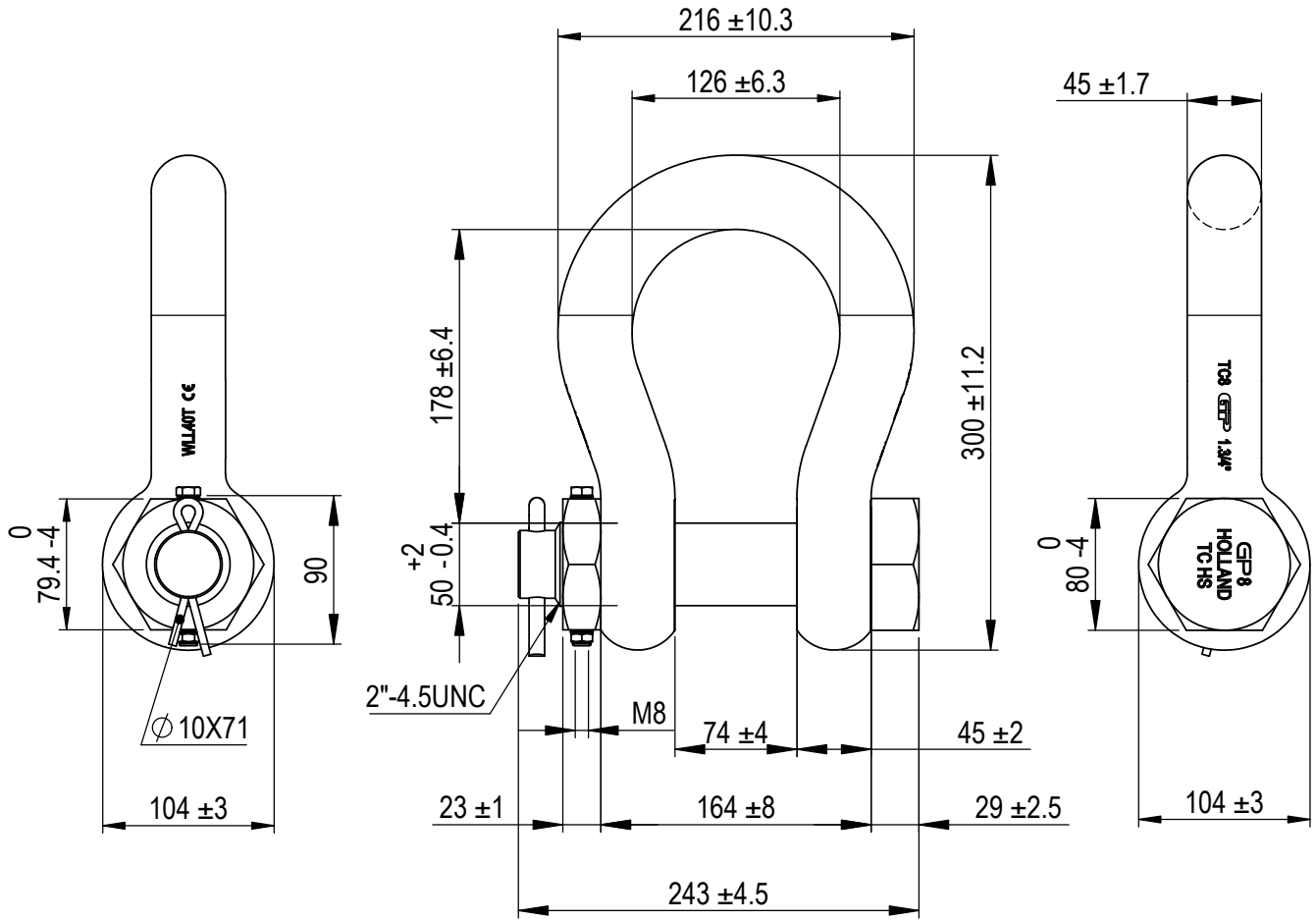


Green Pin Super® Bow Shackle FN
 Group : G-5243
 Part : SUGHMB45FN
 WLL : 40t



We reserve the right to make amendments on specifications in this drawing without prior notification.

| Rev. | Description | Date | Drawn |
|------|-------------|----------|-------|
| 0 | First Issue | 2022-1-1 | DL |

Copyright by Van Beest B.V. moreover this document is the property of Van Beest B.V. This document or any part of it may neither be made known, copied or multiplied, nor used for any purpose other than that for which it is specifically furnished, without the prior written consent of Van Beest B.V.



P.O. Box 57, 3360 AB Sliedrecht (The Netherlands)
 Industrieweg 6, 3361 HJ Sliedrecht
 Tel. +31(0)184-413300 www.greenpin.com

| | | |
|--------|-------|--|
| Format | A4 | |
| Scale | 1:4.5 | |

Title **Green Pin Super® Bow Shackle FN**
 Grade 8 bow shackle with safety bolt and fixed nut

Remark
 G-5243
 SUGHMB45FN

| | |
|----------------|------|
| Drawing number | Rev. |
| 6879 | 0 |